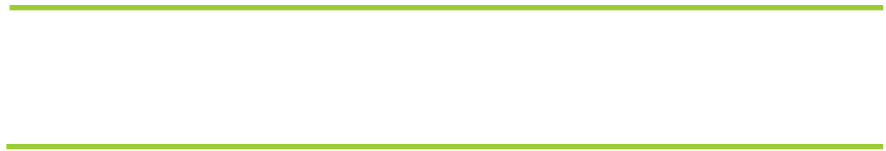


# IF YOU...



MIX IT. FILL IT. PACK IT. SHIP IT.

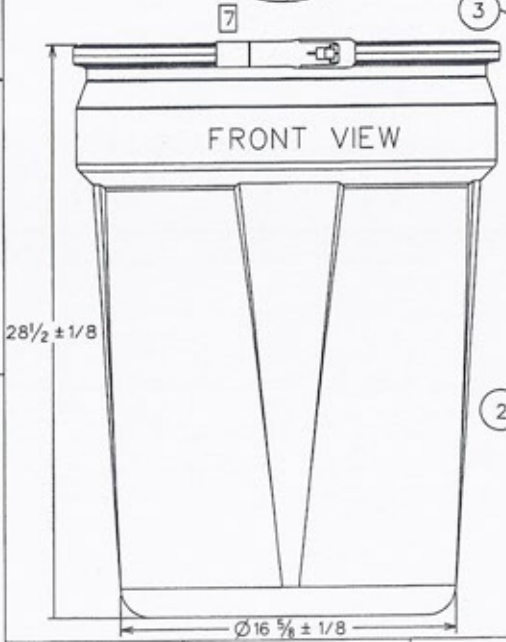
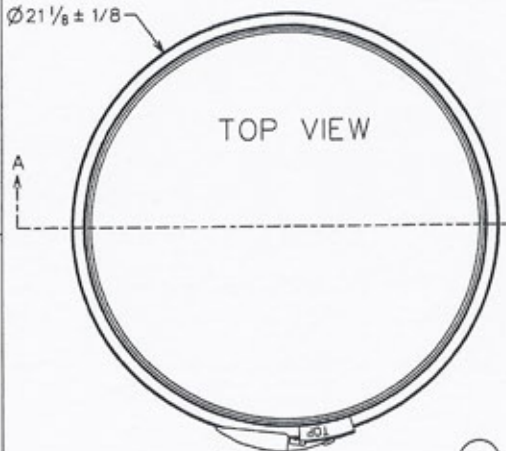
# WE HAVE A PRODUCT FOR YOU



Part #	56BSV3
Capacity	30 gal.
Color	Yellow
Material	HDPE
Closure	Cover w/ Lever Lock Ring Closure
Dimensions	19" Dia. (top) x 16 1/4" Dia. (bottom) x 26 3/8" H (Inside Dimensions)
Pallet Pack	40 Drums
UN Rating Solid	UN1H2/X120/S, UN1H2/Y180/S
DOT Specification	49 CFR 173.3

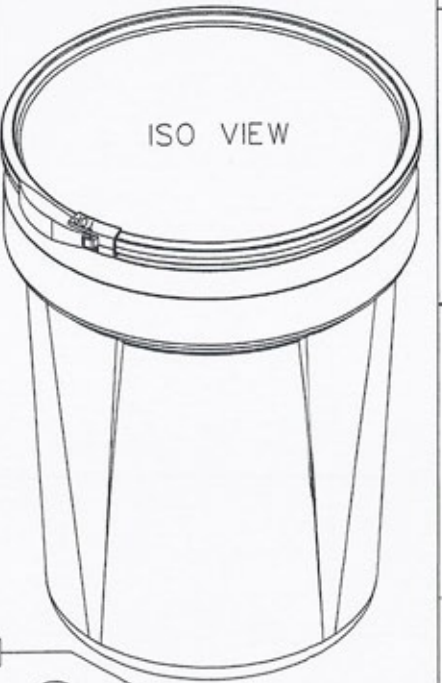
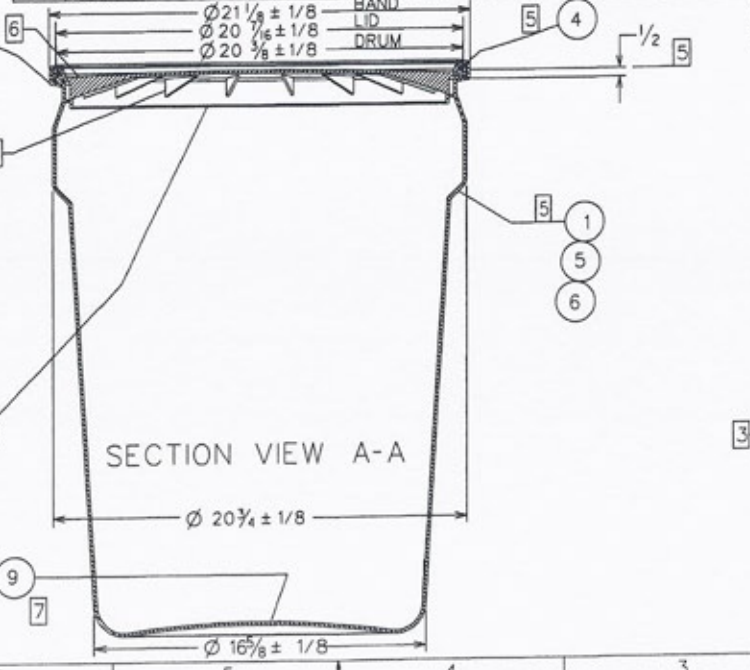


ISO APPROVAL FOR 7 REVISIONS: JCE 577



MARK		NO. REQ'D.	PART NO.	ITEM	MATERIAL SPECIFICATION
5	1	1		BODY	SOLVAY *K54 HDPE PLASTIC RESIN (11 LBS.) 99.25%
7	2	1	3600136	LID	HEAVY DUTY PLASTIC COVER HDPE (2 3/4 LBS.) (WHITE)
7	3	1	3600767	BAND CLAMP	20" HEAVY DUTY BAND (PLASTIC) (1/2 LBS.)
7	4	1	611	GASKET	611 GASKET MATERIAL - HALF FULL
5	1	1	EPE427	YELLOW COLOR	TECHNOR YELLOW CONCENTRATE *EPE427 .5%
6	1	1	10057	UV	AMPACET UV*10057 ABSORBER
7	7	0	3600178	WOVEN POLY BAG	TO SECURE CONTENTS (POLYPROPYLENE 34" X 60" SEE NOTE BELOW)
7	8	0	3600144	WIRE TIE FOR BAG	DOUBLE LOOP ANNEALED STEEL WIRE TIE (18 GAGE X 9" LONG)
7	9	1	LAPACK	INSTRUCTION SHEET	B 1/2" X 11" ON HOW TO SECURE LID WITH BAND ONTO DRUM

MARK		DATE	BY	DESCRIPTION
1	6/18/98	D.J.M.		ITEMS 7,8, AND 9 ADDED TO MEET UN APPROVAL
2	6/18/98	D.J.M.		CHANGED UN NUMBER FROM X100 TO X45
3	9/3/98	D.J.M.		CHANGED UN NUMBER FROM X45 BACK TO X100
4	9/3/98	D.J.M.		CHANGED FROM PG-5 POLY BAG TO WOVEN POLY BAG
5	6/19/00	D.J.M.		CHANGED BODY RESIN TO K54; CHANGED CUT-OFF HT. OF BODY TO 1/2"; CHGD. LID GASKET WT. TO 18.6 GRAMS
6	10/2/01	D.J.M.		CHANGED SUPPORT RIB DESIGN, INCREASED WALL THICKNESS, AND MORE RECESS IN TOP SURFACE OF LID
7	04/25/14	S.T.T.		ELIMINATED BAG AND WIRE TIE ITEMS 7 AND 8 WITH REVISION TO HD PLASTIC BAND AND LID W/611 GASKET



u n 1H2/X100/S/XX  
USA/M4990

MODEL NO. 1601

30 GALLON DRUM ASSEMBLY

30 GALLON PLASTIC DRUM  
HEAVY DUTY PLASTIC LID  
HD PLASTIC BAND CLAMP

01 17

DRAWN: MARCH 31, 1995

REV. 375-11500000-000 D.J.M. REVISION DATE: 4/25/14