

IF YOU...



MIX IT. FILL IT. PACK IT. SHIP IT.

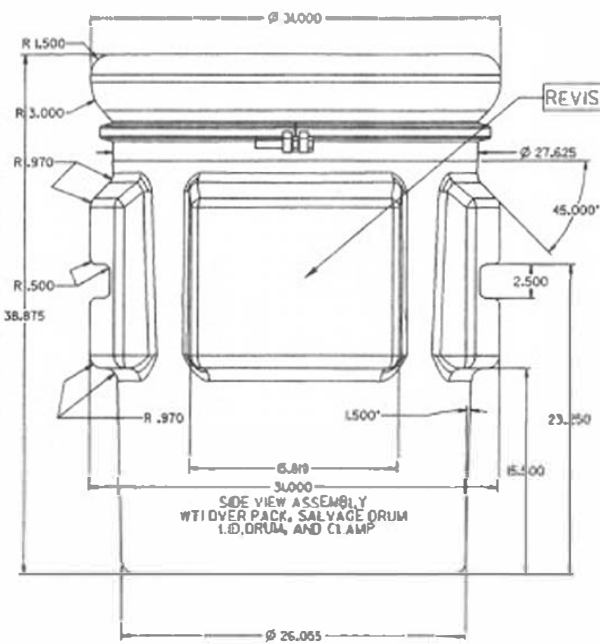
WE HAVE A PRODUCT FOR YOU



Part #	56BSV6
Capacity	65 gal.
Color	Yellow
Material	HDPE
Closure	Cover w/ Bolt Ring Closure
Dimensions	34" Dia. (top) x 26" Dia. (bottom) x 38.875"H (Outside Dimensions)
Pallet Pack	4 Drums
UN Rating Solid	UN1H2/X200/S
DOT Specification	49 CFR 173.3

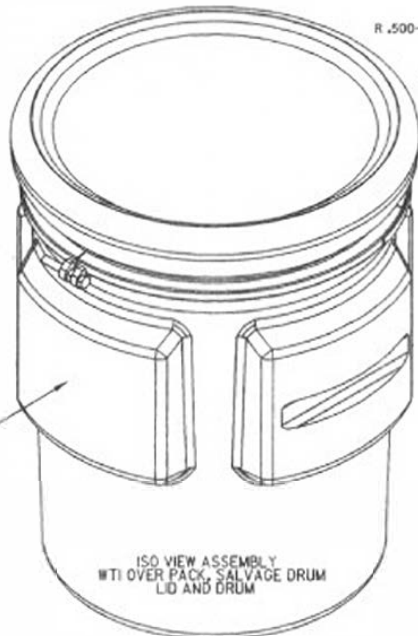


REVISED
ISSUED

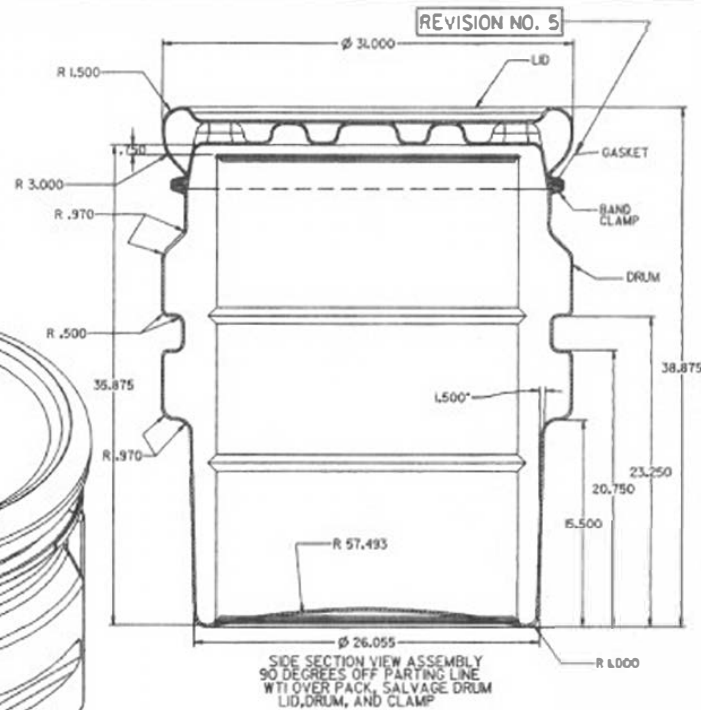


REVISION NO. 6

REVISION NO. 6



ISO VIEW ASSEMBLY
WTI OVER PACK, SALVAGE DRUM
LID AND DRUM



REVISION NO. 5

SIDE SECTION VIEW ASSEMBLY
90 DEGREES OFF PARTING LINE
WTI OVER PACK, SALVAGE DRUM
LID, DRUM, AND CLAMP

MARK	BY	DATE	DESCRIPTION
1	D.J.M.	1/6/96	MISTAKE WAS MADE ON MOLD AND CHANGES HAD TO BE MADE. CHANGES WERE MADE ON THE 4 BIG RIBS AT TOP OF DRUM. CHANGES INCLUDE VERTICAL AND HORIZONTAL ANGLES ON SIDE OF RIBS. CHANGES ALSO INCLUDE OUTSIDE CORNER AND FILLET RADII.
2	D.J.M.	1/20/97	PRESENT RESIN IS K52-05-153 MORE ADDED ALTERNATE EXPERIMENTAL RESIN NO. XF-1522C THAT WILL BE SOON A COMMERCIAL NO. K54-05-175.
3	D.J.M.	1/20/97	PRESENT STEEL BAND CLAMP BOLT IS 5/8"-8 X 4" LONG CHANGED TO ALTERNATE STEEL BOLT 5/8"-8 X 5" LONG.
4	D.J.M.	4/1/99	CHANGED TO NEW GASKET MATERIAL #9-1359 DOW CORNING ASSEMBLY SEALANT ADHESIVE 1/4" THICK IN LID.
5	D.J.M.	1/3/00	CHANGED GASKET MATERIAL #9-1359 TO #9-1363 DOW CORNING ASSEMBLY SEALANT ADHESIVE 1/4" THICK IN LID. (HAS BETTER FLOW).
6	D.J.M.	1/3/00	REMOVED TWO INDEENT RIBS AT PARTING LINE.

ISO APPROVAL FOR 6 REVISIONS:

[Signature]

The
CARY COMPANY
Est. 1895