

IF YOU...



MIX IT. FILL IT. PACK IT. SHIP IT.

WE HAVE A PRODUCT FOR YOU



Part #

56W2ZL

Fits

2 gal.

Color

White

Material

HDPE

Product Specifications

2-Gallon EZ STOR® Container with Hinged Cover

Multiple Uses

Dry Products

Product Codes

Container: **E027**

Description: 2-gallon rectangular can

Cover: **E2DH**

Description: Dry seal, tamper-evident, hinged, EZ open & reseal cover

Features

Gauge: 60 mil.
Nominal capacity: 2.0 USG / 7.6 L
Stack performance: 140 lbs.*
Tare weights: Body: .75 lbs. / .34 kgs.
Cover: .2 lbs. / .09 kgs.

Note: *Ratings will be reduced with uneven load distribution.

Specifications with Cover

Dimensions: 9-3/4" L X 7-3/4" W X 9-5/8" H*
Maximum capacity: 2.11 USG / 8 L
Tare weight: .95 lbs. / .43 kgs.**

Notes: *Based on HDPE body

**With handle, add .05 lbs.

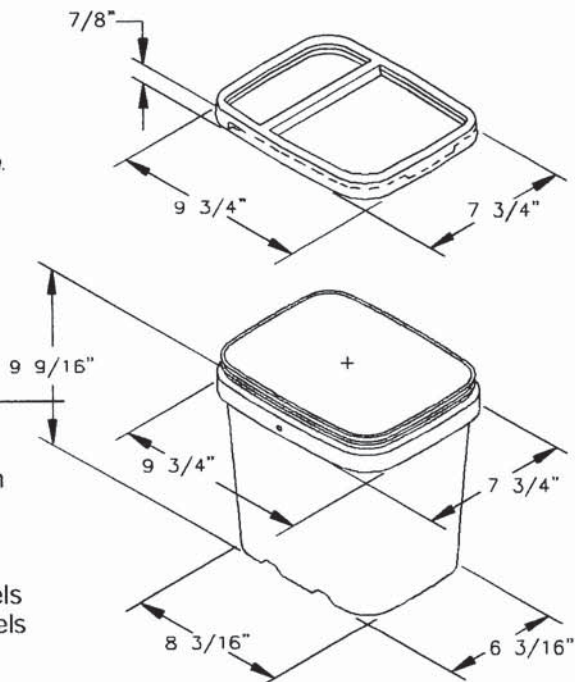
Colors

Standard: White, Black, Natural and Clear
Custom: Available at manufacturer's discretion

Decorating Options

Four or six* color offset printing
Print area: 5-3/4" W X 5-1/2" H on Long panels
Print area: 3-7/8" W X 5-1/2" H on Short panels
Sleeve or pressure sensitive labeling

Note: *Where available



Shipping Data

Qty. per pallet:	400	1200 (12 boxes of 100)*
Gross Weight (lbs./kgs.)**:	300/136	240/108
Den. (lbs./C.F./kgs./m3):	7.6/123.6	3.4/54.3
Length (in./cm.):	49/124.5	42/106.7
Width (in./cm.):	40/101.6	37/94
Height (in./cm.):	35/88.9	78/198.1

Full truckload quantity of 17,600 bodies and covers***

Bodies

Covers

Filled Containers

125 (25 per layer / 5 layers high)
Pallet height: 52.5"

Notes: *Bulkpack of 1200 is also available

**Weight does not include pallet / packaging

***Truckload quantity based on 53' trailer

Materials

FDA approved materials
Resin: Body: High Density Polyethylene (HDPE)
or Clear Polypropylene
Cover: Polypropylene (PP)
MSDS Sheets available upon request

Optional carrying handles

Plastic HDPE
Metal nine-gauge gal. steel

F.O.B. -

Revision 9/01-1



Supplied By: **The Cary Company**

Ph: 630-629-6600

www.thecarycompany.com