

IF YOU...



MIX IT. FILL IT. PACK IT. SHIP IT.

WE HAVE A PRODUCT FOR YOU



30 Gallon Blue Tight Head Plastic Drum, UN Rated, Two 2" Fittings

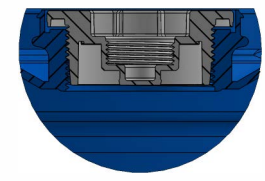
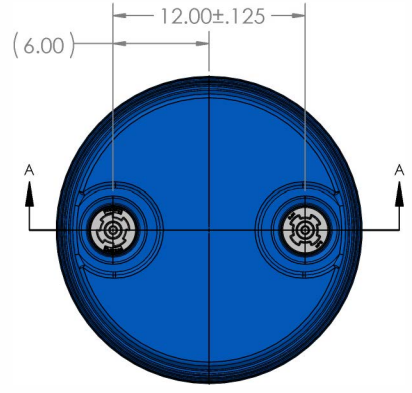
Product Category: Tight Head Plastic Drums

Part #	56W30D
Capacity	30 Gal.
Condition	New
Color	Blue
Material	HDPE
Closure	Tight Head (Closed)
Fittings	2" NPT & 2" NPT
Dimensions	19 1/4" Dia. x 29"H
Pallet Pack	10 ea.
UN Rating Liquid	UN1H1/Y1.8/100

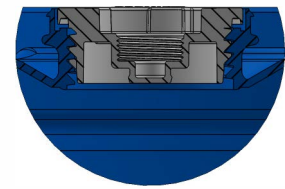
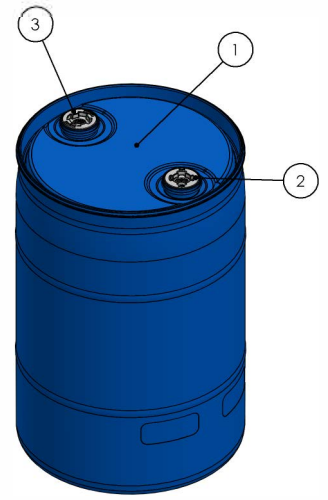
ITEM NO.	PART NUMBER	DESCRIPTION	QTY.
1	552-82-C-09	30 GAL. L1 DRUM	1
2	L16-WLXX	2" NPS PLUG	1
3	L10-WLXX	2" BUTTRESS PLUG	1

NOTE: FOR ADDITIONAL COMPONENT INFORMATION OR OTHER COMPONENT OPTIONS PLEASE REFERENCE MAUSER COMPONENT PRODUCT DESCRIPTION SHEETS.

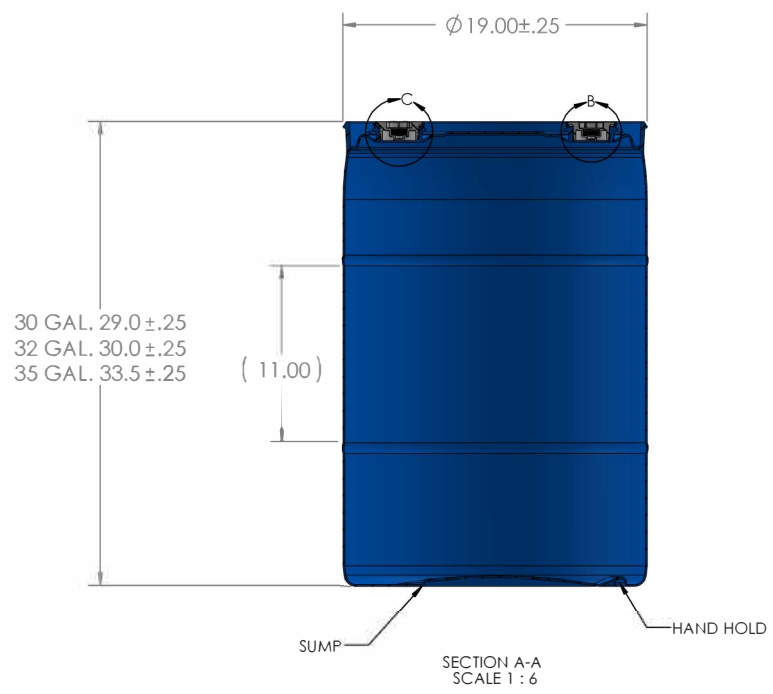
REV.	DESCRIPTION	DATE	APPROVED
A	ECO # 428	-	
B	ADDED M TITLE BLOCK	1/11/07	BG
C	ADDED SUMP / HAND HOLD	4/23/08	TN
D	CHANGED BOTTOM LAYOUT TO SHOW UNDER BUTTRESS OPENING	4/30/08	TN
E	UPDATED DRAWING	5/8/2012	AJ
F	UPDATE BUNG ALIGNMENT	4/12/2013	AJ



DETAIL B
SCALE 1 : 1.5
2" NPS CLOSURE
11.5 T.P.I.



DETAIL C
SCALE 1 : 1.5
BUTTRESS CLOSURE
5 T.P.I.



SECTION A-A
SCALE 1 : 6

UNLESS OTHERWISE SPECIFIED:		NAME	DATE	TITLE: 30/32/35 GAL. L1	
DIMENSIONS ARE IN INCHES TOLERANCES:		DRAWN	AJ		10/26/11
ALL DIMENSIONS ARE NOMINAL UNLESS OTHERWISE SPECIFIED.		CHECKED	TN		10/26/11
INTERPRET GEOMETRIC TOLERANCING PER:		ENG APPR.	BJ		
MATERIAL		MFG APPR.			
FINISH		Q.A.			
NEXT ASSY		COMMENTS:	R:\DWG\SolidWorks Parts\55		
USED ON		LOCATION:			
APPLICATION		DO NOT SCALE DRAWING			
SIZE	DWG. NO.	REV			
C	552-82-C-09	F			
SCALE: 1:8	WEIGHT:	SHEET 1 OF 1			