

IF YOU...



MIX IT. FILL IT. PACK IT. SHIP IT.

WE HAVE A PRODUCT FOR YOU



Part #	56W32L
Fits	2 gal.
Color	White
Material	HDPE



Supplied By: **The Cary Company**
 Ph: 630-629-6600
 www.thecarycompany.com

Product Specifications

4-Gallon Square Container with EZ Cover*

Multiple Uses

Dry Products

Product

Container:

Description: 4-gallon square can

Cover:

Description: Tamper-evident, square EZ cover*, Dry seal

Features

Gauge: 80 mil.

Nominal capacity: 4.0 USG / 15.0 L

Stack performance: 240 lbs.*

Tare weights: Body: 1.50 lbs. / .68 kgs.

Cover: .38 lbs. / .17 kgs.

Note: *Ratings will be reduced with uneven load distribution.

Specifications with cover

Dimensions: 9-15/16" X 9-15/16" X 13-1/4"H

Maximum capacity: 4.1 USG / 15.5 L

Tare weight: 1.88 lbs. / .85 kgs.*

Note: *With handle, add .1 lbs.

Colors

Standard: White, Black and Natural

Custom: Available at manufacturer's discretion

Decorating Options

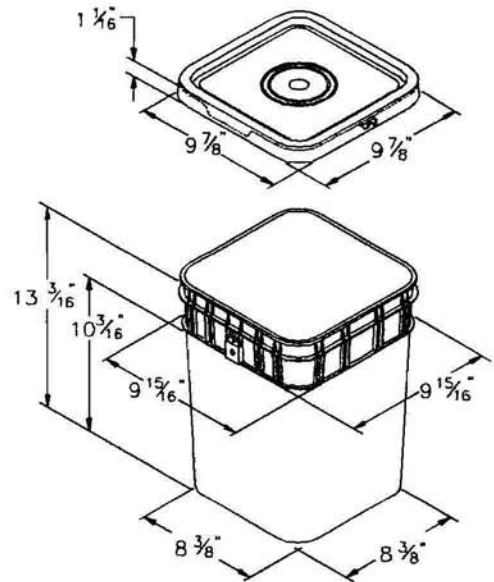
Silk - Screening: 5"L X 7-1/2"H

Four or six* color offset printing

Print area: 5"W X 8"H on each panel

Sleeve or pressure sensitive labeling

Note: *Where available



Shipping Data

Qty. per pallet:

Bodies

240

Covers*

2304 (24 boxes of 96)

Filled Containers

60 (20 per layer / 3 layers high)

Gross Weight (lbs./kgs.)**:

360/163

876/392

Pallet height: 44.25"

Den. (lbs./C.F./kgs./m3):

6.6/105.8

11.9/188.5

Length (in./cm.):

50.0/127.0

51.0/129.5

Width (in./cm.):

40.5/102.9

41.0/104.1

Height (in./cm.):

46.5/118.1

61.0/154.9

Full truckload quantity of 10,560 bodies and covers***

Notes: *Bulk pack also available

**Weight does not include pallet/packaging

***Truckload quantity based on 53' trailer

Materials

FDA approved materials

Resin: Body: High-Density Polyethylene (HDPE)

Cover: High-Density Polyethylene (HDPE)

MSDS Sheets available upon request

Optional carrying handles

Plastic HDPE

Metal nine-gauge gal. steel