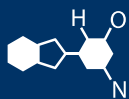


IF YOU...



MIX IT. FILL IT. PACK IT. SHIP IT.

WE HAVE A PRODUCT FOR YOU



Part #	56W33S
Capacity	3.3 Gallon
Color	White
Material	HDPE
Dimensions	9-15/16"L x 9-15/16"W x 11-3/16"H
Pallet Pack	240 ea.
FDA Approved	Yes
Note	*Pail Covers Sold Separately



3.3-Gallon Square Container with EZ Cover*

Multiple Uses

Dry Products

Product Codes

Container: **S337**

Description: 3.3-gallon square can

Cover: **STDZ**

Description: Tamper-evident, square EZ Cover*, Dry seal

Features

Built in hand grips

Gauge: 65 mil.

Nominal capacity: 3.3 USG / 12.5 L

Stack performance: 175 lbs.*

Tare weights: Body: 1.04 lbs. / .47 kgs.

Cover: .38 lbs. / .17 kgs.

Note: *Ratings will be reduced with uneven load distribution.

Specifications with cover

Dimensions: 9-15/16" X 9-15/16" X 11-3/16"H*

Maximum capacity: 3.35 USG / 12.7 L

Tare weight: 1.42 lbs. / .64 kgs.**

Notes: *Based on HDPE body

**With handle, add .1 lbs.

Colors

Standard: White, Black, Natural and Clear

Custom: Available at manufacturer's discretion

Decorating Options

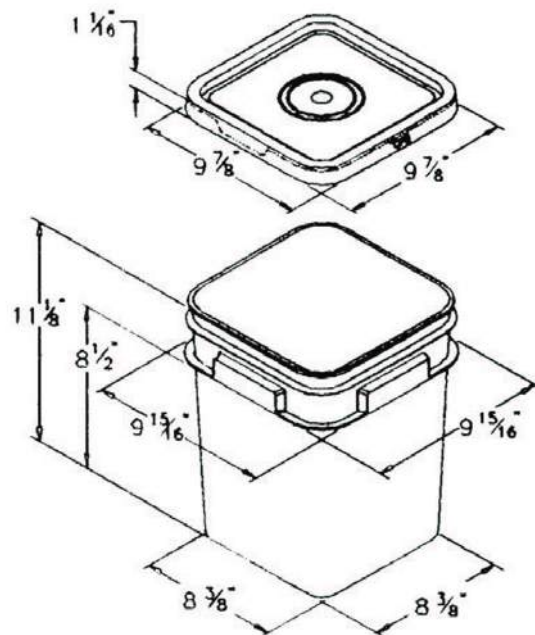
Silk - Screening: 5"L X 6-1/4"H

Four or six* color offset printing

Print area: 5"W X 6-3/4"H on each panel

Sleeve or pressure sensitive labeling

Note: *Where available



Shipping Data

Qty. per pallet:

Gross Weight (lbs./kgs.)**:

Den. (lbs./C.F./kgs./m3):

Length (in./cm.):

Width (in./cm.):

Height (in./cm.):

Full truckload quantity of 10,800 bodies and covers***

Bodies

240

250/113

5.3/85.6

50.5/128.3

41.0/104.1

39.0/99.1

Covers*

2304 (24 boxes of 96)

876/392

11.9/188.5

51.0/129.5

41.0/104.1

61.0/154.9

Filled Containers

60 (20 per layer / 3 layers high)

Pallet height: 38.06"

Notes: *Bulk pack also available

**Weight does not include pallet/packaging

***Truckload quantity based on 53' trailer

Materials

FDA approved materials

Resin: Body: High-Density Polyethylene (HDPE)
or Clear Polypropylene (PP)

Cover: High-Density Polyethylene (HDPE)

MSDS Sheets available upon request

Optional carrying handles

Plastic HDPE

Metal nine-gauge gal. steel

F.O.B.

Revision 3/01-1



Supplied By: **The Cary Company**

Ph: 630-629-6600

www.thecarycompany.com