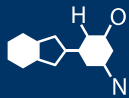


# IF YOU...

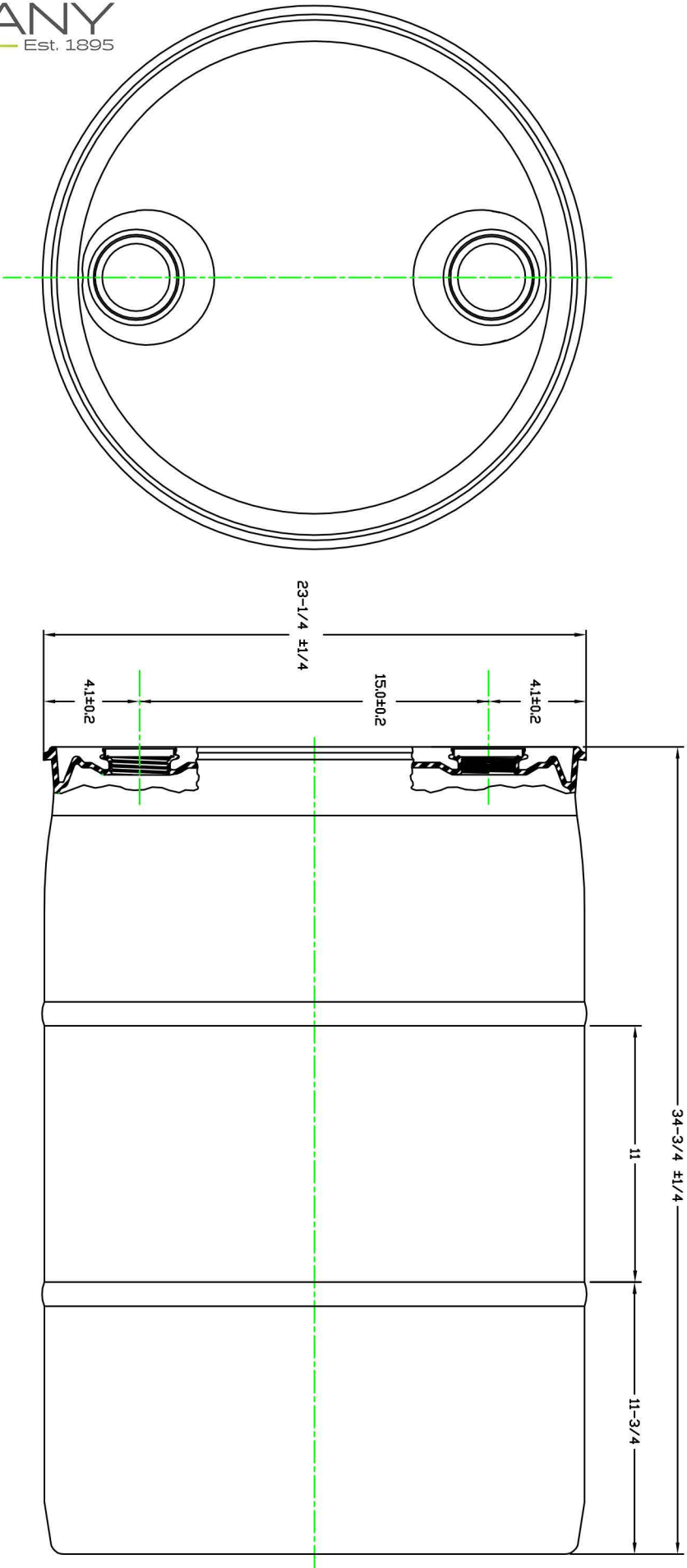


MIX IT. FILL IT. PACK IT. SHIP IT.

# WE HAVE A PRODUCT FOR YOU



Part #	56W55K
Capacity	55 Gal.
Condition	New
Color	Black
Material	HDPE
Closure	Tight Head (Closed)
Min Wall Thickness	0.087 in. (2.2 mm)
Gasket	EDPM Rubber Gasket
Ocean Cube (Tweed's Accurate)	10.7 ft <sup>3</sup>
Dimensions	23 1/4" (591 mm) Dia. x 34 3/4" (883 mm) H
Nominal Tare Weight	21.5 lbs. (9.8 kg)
Pallet Pack	8 ea.
UN Rating Liquid	UN1H1/Y1.9/100



REV.	DESCRIPTION	BY	DATE	APPL.
A	new title block, corrected bung profile	TN	11/08/07	BJ

**NOTICE**

**TOLERANCES**

BREAK ALL SHARP EDGES UNLESS SPECIFIED	± 1/64	DECIMALS	± .005
ANGLES	± 0°30'	XXX	± .002
	XXXX	± .0005	

DO NOT SCALE PRINT

DATE: 3-27-2005	SCALE: NONE	ECN:	CPN:
DRW: Geever	DATE: 3-27-2005	SCALE: NONE	ECN:
CHECK: M. Krock	DATE: 3-27-2005	SCALE: NONE	ECN:

ALL PARTS MUST HAVE THE DRAWING NUMBER, DATE, AND MANUFACTURER'S I.D. ENGRAVED ON THEM

<b>55 GAL R-S L1 DRUM</b>			
<b>STD 2" NPS &amp; BUTT. "No Optimal Drain"</b>			
DESIGNED BY: Geever	DATE: 3-27-2005	SCALE: NONE	ECN:
CHECK: M. Krock	DATE: 3-27-2005	SCALE: NONE	ECN:
REV: A			