

IF YOU...

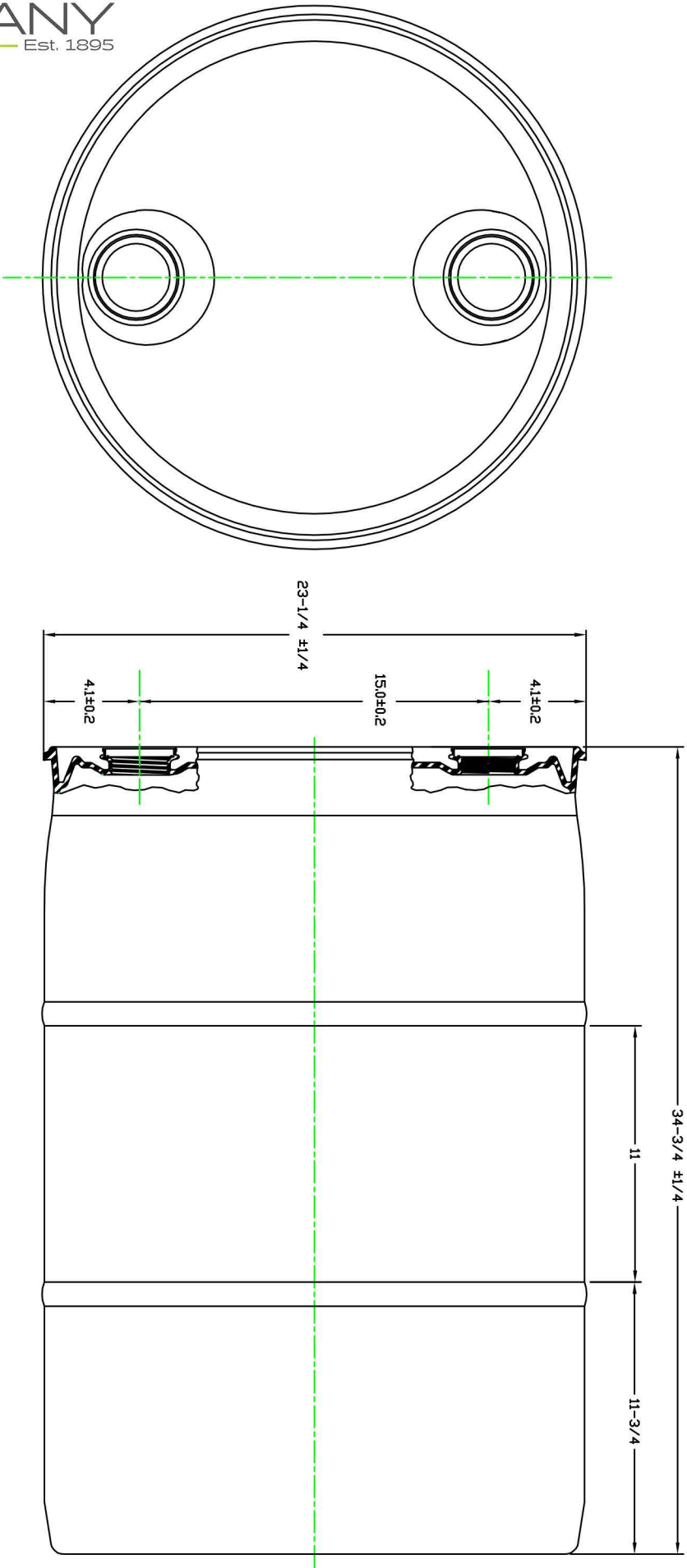


MIX IT. FILL IT. PACK IT. SHIP IT.

WE HAVE A PRODUCT FOR YOU



Part #	56W55N
Capacity	55 Gal.
Condition	New
Color	Natural
Material	HDPE
Closure	Tight Head (Closed)
Min. Wall Thickness	0.087 in (2.2mm)
Fittings	2" NPT & 2" Buttress
Gasket	EDPM Rubber Casket
Ocean Cube (Tweed's Accurate)	10.7 ft ³
Dimensions	23 1/4" (591mm) Dia. x 34 3/4" (883mm)H
Nominal Tare Weight	21.5 lbs. (9.8 kg)
UN Rating Liquid	UN1H1/Y1.9/100



REV.	DESCRIPTION	BY	DATE	APPL.
A	new title block, corrected bung profile	TN	11/08/07	BJ

NOTICE

TOLERANCES

BREAK ALL SHARP EDGES UNLESS SPECIFIED	± 1/64	DECIMALS	± .005
ANGLES	± 0°30'	XXX	± .002
	XXXX	± .0005	

DO NOT SCALE PRINT

DATE: 3-27-2005	SCALE: NONE
DRAWN BY: Geever	ECN: CPN:
CHECKED BY: Krock	REV: A

ALL PARTS MUST HAVE THE DRAWING NUMBER, DATE, AND MANUFACTURER'S I.D. ENGRAVED ON THEM

DESIGNED BY: Geever		DATE: 3-27-2005		SCALE: NONE	
DRAWN BY: Geever		DATE: 3-27-2005		SCALE: NONE	
CHECKED BY: Krock		DATE: 3-27-2005		SCALE: NONE	
REV: A		REV: A		REV: A	

55 GAL R-S L1 DRUM
STD 2" NPS & BUTT. 'No Optimal Drain'