

# Part#: 56WCAP



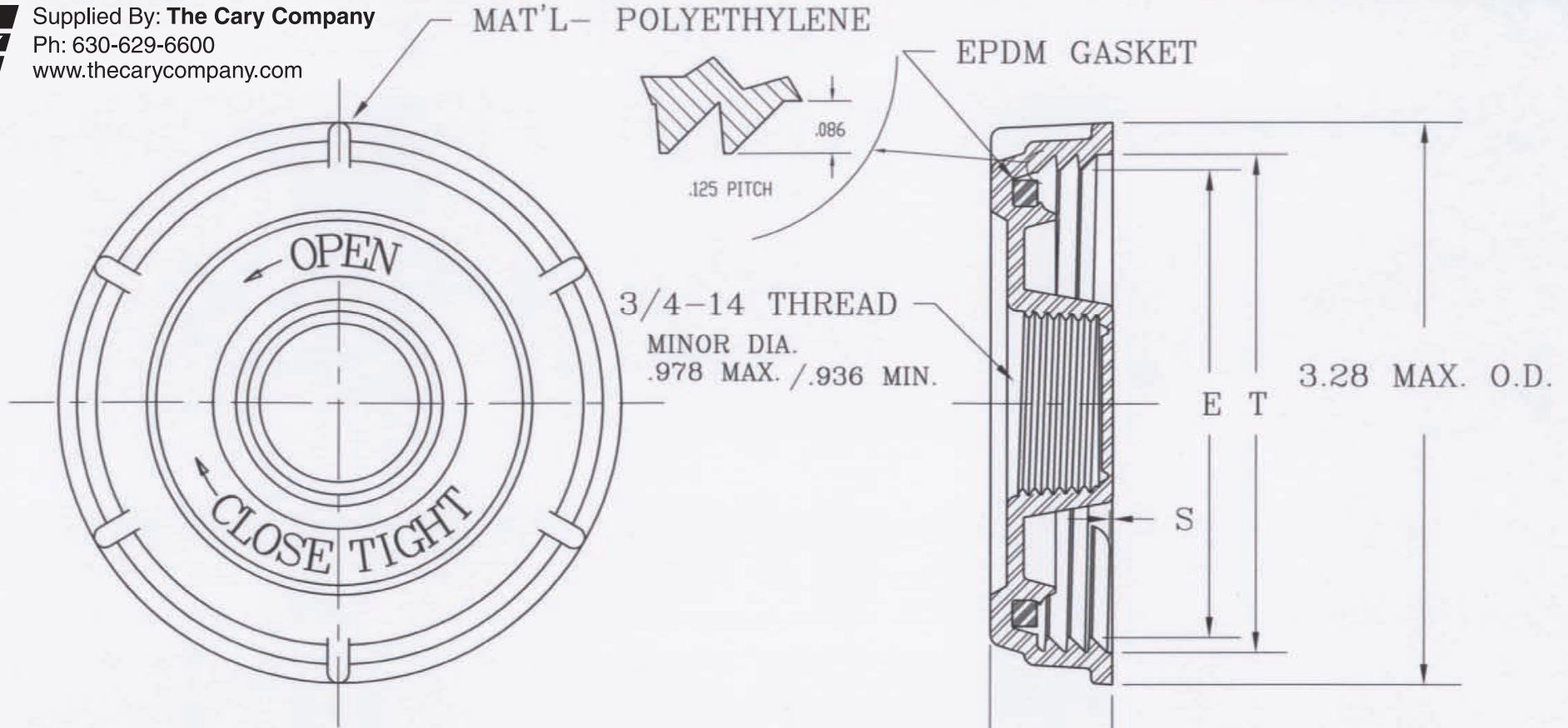
**FS-70 Screw cap with 3/4" reducer**  
**Part# 56WCAP** - 70mm Screw Cap with 3/4" Reducer



Supplied By: **The Cary Company**  
Ph: 630-629-6600  
[www.thecarycompany.com](http://www.thecarycompany.com)



Supplied By: **The Cary Company**  
 Ph: 630-629-6600  
 www.thecarycompany.com



THREAD SPECIFICATIONS	
S	.03 MIN. *
T	2.767MIN.
E	2.650 MAX/2.613 MIN.
TPI	8 THREADS PER INCH

NOTE: MATERIALS USED MEET  
 FDA REQUIREMENTS

NOTE: THIS IS NOT A SHOP DRAWING

\* MAX. DIM. NOT APPL. SINCE LENGTH OF  
 CAP WILL LENGTHEN "S" WITHOUT EFFECTING ENGAGEMENT

BREAK ALL SHARP EDGES  
 WITH 1/64" RADIUS,  
 UNLESS OTHERWISE SPECIFIED

THE FOLLOWING TOLERANCES  
 APPLY UNLESS OTHERWISE  
 SPECIFIED:

ANGLES	±1/4"
HUNDRETH	±.015
THOUSANDTH	±.002

DATE  
 3-8-89  
 SCALE  
 NTS

DRAWN BY	GMB				
CHECKED	JLH				
APPROVED	A	REDRAWN FOR CLARITY	3-8-89	GMB	
	CHANGE NUMBER	CHANGE	DATE	BY	

DETAIL NAME		FS-70 SCREW CAP	
TOOL ASSY. NAME			
PRODUCT		TOOL ASS'Y NUMBER	
DRAWING NUMBER	28000018	DETAIL NUMBER	
FOR			
MATERIAL	SEE NOTATIONS ABOVE	TEMPER	
			FS-70



Supplied By: **The Cary Company**

Ph: 630-629-6600

www.thecarycompany.com

PARAMETERS	SPECIFICATION	TEST METHOD
Material of construction	Type:- Polyethylene	COA
Standard Color (other colors available upon request)	Natural	QC Spec Visual
Nominal dimensions in inches (mm)		QC Spec Variable/Attribute Gauge
Opening Print Drawing Number	M0678 Rev: D	
Special markings	“ Open Close Tight ”	
Accessories	GK098W White EPDM Gasket	
Applied torque	10 ft-lbs	QC Spec Torque Wrench
Method of delivery	250 /carton - ~ 17 lbs. gross/carton - 36 cartons/pallet	
Components	Screw cap with 3/4" Thread Reducer	Drawing No. 28000018 Rev: A