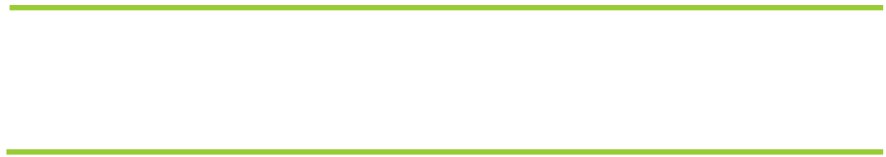


IF YOU...



MIX IT. FILL IT. PACK IT. SHIP IT.

WE HAVE A PRODUCT FOR YOU



Part #	56WECT
Capacity	1 gal.
Color	Clear
Material	PP
Min. Wall Thickness	45 mil
Label Panel Dimensions	4" W x 5" H (front), 2.25" W x 5" H (side)
Dimensions	7-7/8" L x 5-7/8" W x 8-3/16" H
Weight	.29 lbs.
Pallet Pack	1000 ea.
FDA Approved	Yes
Country of Manufacture	United States
Model	ET14 Clear



1-Gallon EZ Stor[®] (CRSF) Container with Gasketless Cover

Multiple Uses

Dry Products

Product Codes

Container: **ET1C**

Description: 1-gallon tall (CRSF) rectangular can

Cover: **ETDZ**

Description: Gasketless, tamper-evident, (CRSF) hinged cover

Features

Gauge: 35 mil.

Nominal capacity: 1.0 USG / 3.8 L

Stack performance: 60 lbs. dry products*

Tare weights: Body: .29 lbs. / .13 kgs.

Cover: .07 lbs. / .03 kgs.

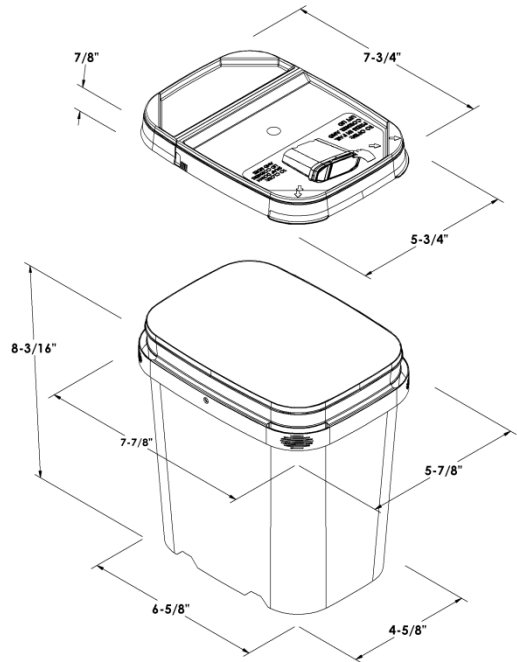
Note: * Product designed for use with overpack

Specifications with Cover

Dimensions: 7-7/8" L X 5-7/8" W X 8-3/16" H

Maximum capacity: 1.08 USG / 4.09 L

Tare weight: .36lbs. / .16kgs.



Colors

Standard: White, Black, Natural and Clear

Custom: Available at manufacturer's discretion

Decorating Options

Four or six color offset printing*

Pressure sensitive labeling

Front: 4"W x 5"H

Side: 2.25"W x 5"H

In-Mold Labeling (IML)

Note: *Where available

Shipping Data

Qty. per pallet:

Gross Weight (lbs./kgs.):*

Den. (lbs./C.F./kgs./m3):

Length (in./cm.):

Width (in./cm.):

Height (in./cm.):

Estimated truckload quantity of 40,000 bodies and covers**

Bodies

1,000

290/130

5.1/81.3

50.0/127

40.0/101.6

49.0/124.5

Covers

9,000 (18 boxes of 500)

630/270

7.2/108

50.0/127

40.0/101.6

76.0/193.0

Filled Containers

Product designed for use with overpack

Notes: *Weight does not include pallet / packaging

**Truckload quantity based on 48' trailer

Materials

FDA and HPB approved materials

Resin: Body: Polypropylene (PP)

or Clear Polypropylene (PP)

Cover: Polypropylene (PP)

MSDS Sheets available upon request

Optional Carrying Handle