

IF YOU...



MIX IT. FILL IT. PACK IT. SHIP IT.

WE HAVE A **PRODUCT** FOR YOU

Part #56WGT4

Tri-Sure Drum Plugs (for Plastic)

**3/4" NPS Tri-Sure® Push-Lock™ Compatible Plastiplug™,
EPDM Gasket**



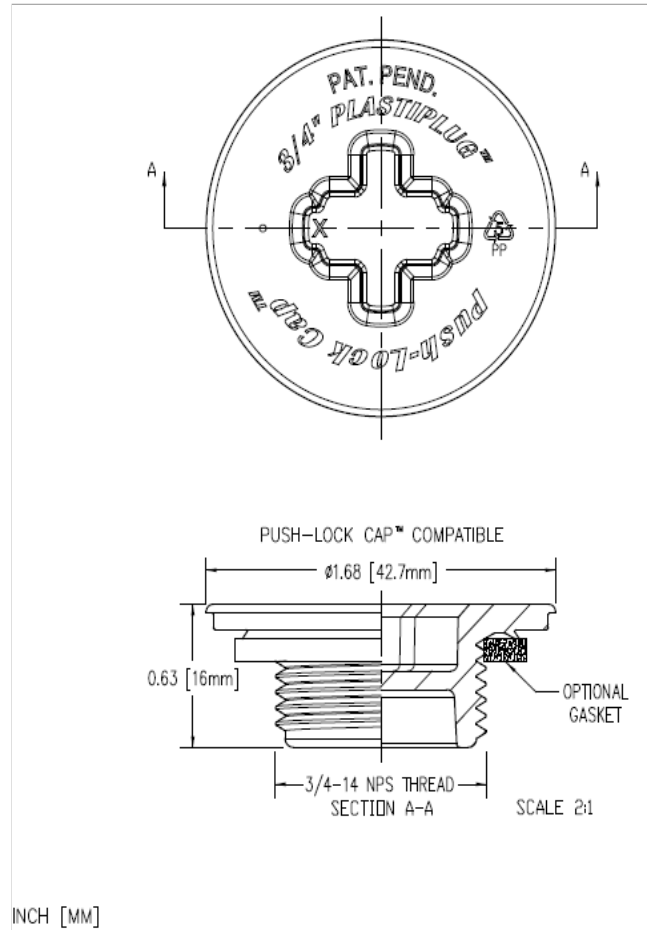
The
CARYCOMPANY
Est. 1895

GENERAL INFORMATION

- Product group: Manufactured in compliance with ISO-15750-3(steel) & ISO-20848-3(plastic)
- Type model:
- Material: Polypropylene
- Size: G3/4 (20mm) / this thread is ISO-228 compatible
- Surface print / Finish:
- Washer: White EPDM is a multi purpose sealing material with good physical and excellent chemical properties. As a plug washer/gasket it is not recommended for applications involving petroleum derivatives.
- Execution: Standard execution

PACKAGING INFORMATION

- Component weight (grams): 7
- Box quantity (pieces): 1000
- Box weight (kg): 7
- Pallet quantity: 27000
- Pallet weight (kg): 237



Material: PP
Finish:

Item Number: CLPL00333CC20001
Item Drawing: TSA-CD014044

COMMENTS

- More information about application can be found on our website under "Library of brochures". Please contact your local Tri-Sure® Sales representative for packaging advice and testing for specific products.
- Our food contact compatible washers are compliant with the requirements of the FDA regulation. (Tri-Sure declaration SUP-1000004)
- Minimum order quantity: 1 box
- Food Packaging Regulations: The raw materials used are in compliance with §177.1520 of the FDA: Olefin polymers.
- "Recommended closing torque specification" please refer to the "Library of brochures"
- Accessories such as hand spanners and adaptors for torque wrenches are available, please check with you local Tri-Sure® Sales representative

Disclaimer: All information on our behalf in relation to our products, whether in nature of date, recommendations or otherwise, is supported by research and believed reliable, but we assume no liability whatsoever in respect of application, processing or use made of the aforementioned information or products or any consequence thereof. The user undertakes all liability in respect of the application. Processing or use of the aforementioned information or products, whose quality and other properties he shall verify, or any consequence thereof. No liability whatsoever shall attach to us for any infringement of the rights owned or controlled by a third party on intellectual, industrial or other property byreason of the application, processing or use of the aforementioned information or products by the user.