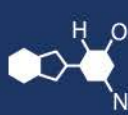


# IF YOU...



MIX IT. FILL IT. PACK IT. SHIP IT.

# WE HAVE A PRODUCT FOR YOU

Part #: 56WLS4


Square Plastic Pails

4 Gallon White Square Plastic Pail w/Plastic Handle,  
Life Latch, UN Rated



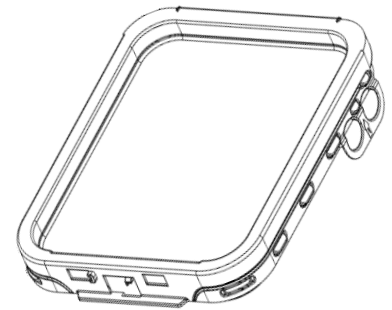
The  
**CARY**COMPANY  
Est. 1895

1195 W. Fullerton Ave. | Addison, IL 60101 | T: 630.629.6600 | F: 630.629.3690 |

UN Certification: 3H2/Y15/S 

**COVER SPECIFICATION**

Origin of Materials	100% US Manufactured
Material	High Density Polyethylene (HDPE)
Mfg. Method	Injection Molding
Weight	.976 lbs / 443 g
Height	1.86"
Min Wall Thickness	.120"
Standard Color	White <i>Please inquire about custom colors</i>
Quantity	40 Per Case 480 per pallet



**PAIL SPECIFICATION**

Origin of Materials	100% US Manufactured
Material	High Density Polyethylene (HDPE) <i>Plastic Handle</i>
Mfg. Method	Injection Molding
Weight	1.75 lbs
Min. Wall Thickness	.080"
Exterior Height	10.93" With Cover 11.17"
Top Inside Diameter	9.32" / 11"
Bottom Outside Diameter	8.6 / 10.25"
Shipping Quantity	160 Units per Pallet 6,560 Units per Truckload
Standard Color	White <i>Please inquire about custom colors</i>
Decoration	In Mold Labeling (IML)
Top Load Rating	300 lbs

