

IF YOU...



MIX IT. FILL IT. PACK IT. SHIP IT.

WE HAVE A **PRODUCT** FOR YOU

Part #56WR35

Round Plastic Pails

3.5 Gallon White Plastic Pail (75 mil) w/Metal Handle (P8 Series)



The
CARYCOMPANY
Est. 1895

3.5-Gallon Round Container with Lo-Vis EZ Cover®

Multiple Uses

Dry Products
Liquid Products

Product Codes

Container: **R038**
Description: 3.5-gallon round can

Cover: **LTGZ**

Description: Tamper-evident, Lo-Vis EZ Cover® with four tabs and tubular gasket

Features

Gauge: 75 mil.
Nominal capacity: 3.5 USG / 13.2 L
Stack performance: 350 lbs. *
Tare weights: Body: 1.42 lbs. / .64 kgs.
Cover: .58 lbs. / .26 kgs.

Note: *Ratings will be reduced with uneven load distribution.

Specifications with Cover

Dimensions: 12-3/8"D X 11-1/2"H
Maximum capacity: 4.1 USG / 15.5 kgs.
Tare weight: 2.00 lbs. / .90 kgs.

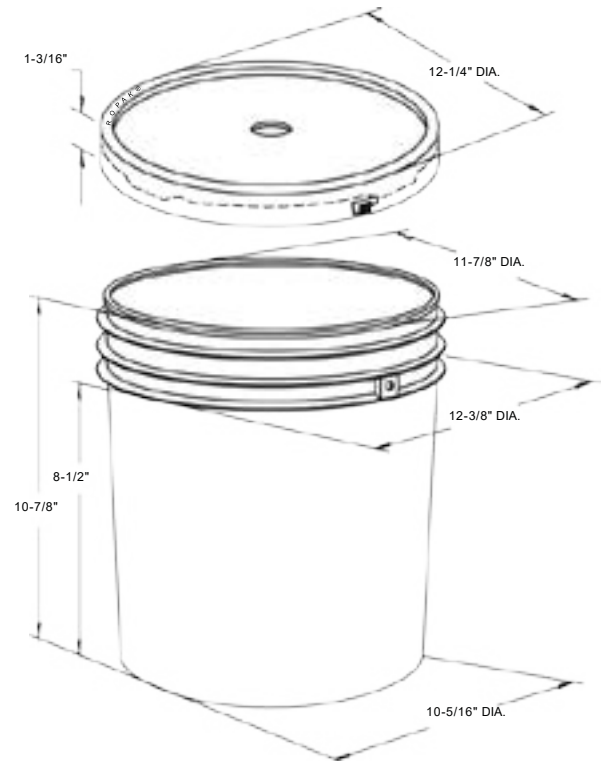
Colors

Standard: White, Black and Natural
Custom: Available at manufacturer's discretion

Decorating Options

Silk-Screening: 32-1/4"W X 7"H
Four or six* color offset printing
Print area: 34-1/4"W X 7"H

Note: *Where available



Shipping Data

	<u>Bodies</u>	<u>Covers</u>
Qty. per pallet/carton:	144	1,152 (24 boxes of 48)*
Gross Weight (lbs./kgs)**:	204.5/92.2	668.2/299.5
Den. (lbs./C.F./kgs./m3):	5.5/88.2	5.5/86.6
Length (in./cm.):	49.3/125.2	52/132.1
Width (in./cm.):	37.5/95.3	40/101.6
Height (in./cm.):	34.5/87.6	101.5/257.8

Estimated truckload quantity of 8,640 bodies and covers***

Filled Containers

48 (12 per layer / 4 layers high)
Pallet height: 48"

Notes: *Bulk pack also available
**Weight does not include pallet/packaging
***Truckload quantity based on 53' trailer

Materials

FDA approved materials
Resin: Body: High-Density Polyethylene (HDPE)
Cover: High-Density Polyethylene (HDPE)
Ethylene Propylene Diene Monomer(EPDM) Gasket

MSDS Sheets available upon request

Optional Carrying Handle