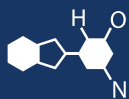


# IF YOU...



MIX IT. FILL IT. PACK IT. SHIP IT.

# WE HAVE A PRODUCT FOR YOU

Part #: 56WRL1

Standard Pail Lids

4 Gallon White Plastic Pail Lid  
(P8 Series)



The  
**CARY**COMPANY  
Est. 1895

1195 W. Fullerton Ave. | Addison, IL 60101 | T: 630.629.6600 | F: 630.629.3690 |

## 4-Gallon Round Container with C4 Cover

### Multiple Uses

Dry Products

### Product Codes

Container: **T047**

Description: 4-gallon round can

Cover: **C4D0**

Description: Round, dry seal cover

### Features

Gauge: 65 mil.

Nominal capacity: 4.0 USG / 15.1 L

Stack performance: 300 lbs.\*

Tare weights: Body: 1.28 lbs. / .58 kgs.

Cover: .34 lbs. / .15 kgs.

Note: \*Ratings will be reduced with uneven load distribution.

### Specifications with Cover

Dimensions: 11-7/16"D X 12-3/4"H

Maximum capacity: 4.3 USG / 16.3 L

Tare weight: 1.62 lbs. / .73 kgs.

### Colors

Standard: White, Black and Natural

Custom: Available at manufacturer's discretion

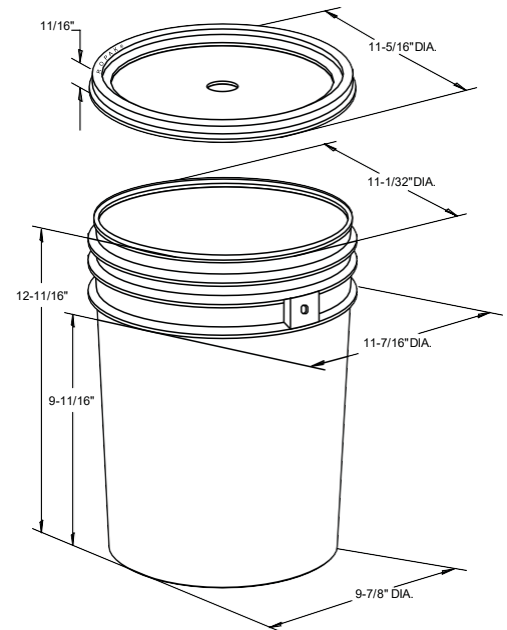
### Decorating Options

Silk - Screening: 30-1/4"W X 8-1/4"H

Four or six\* color offset printing

Print area: 32-1/4"W X 8-1/4"H

Note: \*Where available



### Shipping Data

Qty. per pallet:

Gross Weight: (lbs./Kgs.)\*\*:

Den. (lbs./C.F./Kgs./m3):

Length (in./cm.):

Width (in./cm.):

Height (in./cm.):

### Bodies

144

184.3/83.5

4.1/65.5

48/121.9

34.5/87.6

47/119.4

### Covers

1,728 (24 boxes of 72)\*

587.5/259.2

8.5/132.3

47/119.4

35.3/89.7

72/182.9

### Filled Containers

36 (12 per layer / 3 layers high)

Pallet height: 42.75"

Estimated truckload quantity of 6,912 bodies and covers\*\*\*

Notes: \*Bulk pack also available

\*\*Weight does not include pallet/packaging

\*\*\*Truckload quantity based on 53' trailer

### Materials

FDA approved materials

Resin: Body: High-Density Polyethylene (HDPE)

Cover: High-Density Polyethylene (HDPE)

### Optional Carrying Handle