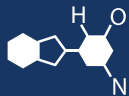


IF YOU...



MIX IT. FILL IT. PACK IT. SHIP IT.

WE HAVE A PRODUCT FOR YOU

Part #: 56WRL2

Tear Strip Pail Lids

4 Gallon White Tear Strip Plastic Pail Lid
w/Gasket (P8 Series)



The
CARYCOMPANY
Est. 1895

1195 W. Fullerton Ave. | Addison, IL 60101 | T: 630.629.6600 | F: 630.629.3690 |

2.9-Gallon Round Container with T4 FIG Cover

Multiple Uses

Dry Products
Liquid Products

Product Codes

Container: **C297**
Description: 2.9-gallon round can

Cover: **T4F0**

Description: Tamper-evident, round cover with flowed-in gasket

Features

Gauge: 65 mil.
Nominal capacity: 2.9 USG / 11.0 L
Stack performance: 300 lbs.*
Tare weights: Body: .99 lbs. / .45 kgs.
Cover: .37 lbs. / .18 kgs.

Note: *Ratings will be reduced with uneven load distribution.

Specifications with Cover

Dimensions: 11-7/16"D X 9-1/4"H
Maximum capacity: 3.02 USG / 11.4 L
Tare weight: 1.36 lbs. / .63 kgs.

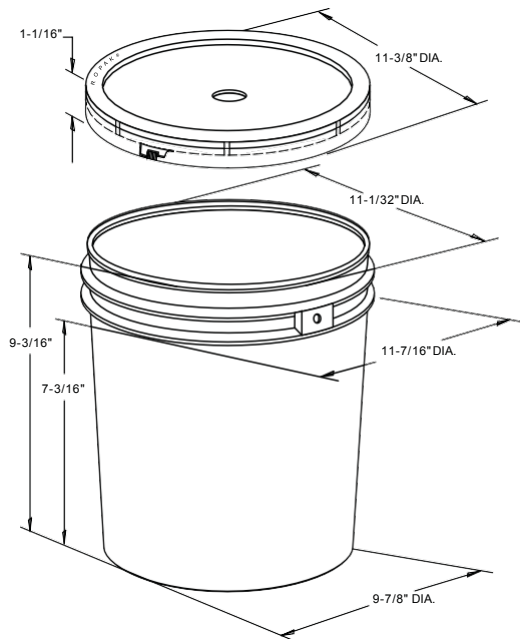
Colors

Standard: White, Black and Natural
Custom: Available at manufacturer's discretion

Decorating Options

Silk - Screening: 30"W X 5-1/2"H
Four or six* color offset printing
Print area: 32"W X 5-1/2"H

Note: *Where available



Shipping Data

Qty. per pallet:

Gross Weight (lbs./kgs.)**:

Den. (lbs./C.F./kgs./m3):

Length (in./cm.):

Width (in./cm.):

Height (in./cm.):

Bodies

144

142.6/64.8

4.5/72.7

48/121.9

36/91.4

31.5/80

Covers

1,440 (30 boxes of 48)*

532.8/259.2

5.7/98.4

48/121.9

40/101.6

83.7/212.6

Filled Containers

60 (12 per layer/5 layers high)

Pallet height: 49.75"

Estimated truckload quantity of 9,072 bodies and covers***

Notes: *Bulk pack also available

**Weight does not include pallet/packaging

***Truckload quantity based on 53' trailer

Materials

FDA approved materials

Resin: Body: High-Density Polyethylene (HDPE)

Cover: High-Density Polyethylene (HDPE)

Hot Melt Synthetic Resin – Flowed-in Gasket

MSDS Sheets available upon request

Optional Carrying Handle