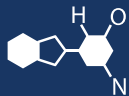


IF YOU...



MIX IT. FILL IT. PACK IT. SHIP IT.

WE HAVE A **PRODUCT** FOR YOU

Part #: 56WRL6

Tear Strip Pail Lids

5 Gallon White Tear Strip Plastic Pail Lid
w/Gasket (P8 Series)



The
CARYCOMPANY
Est. 1895

1195 W. Fullerton Ave. | Addison, IL 60101 | T: 630.629.6600 | F: 630.629.3690 |

5.0-Gallon Round Container with Lo-Vis EZ Cover®

Multiple Uses

Dry Products
Liquid Products

Product Codes

Container: **R057**
Description: 5.0-gallon round can

Cover: **LTGZ**

Description: Tamper-evident, Lo-Vis EZ Cover® with four tabs and tubular gasket

Features

Gauge: 75 mil.
Nominal capacity: 5.0 USG / 19.0 L
Stack performance: 400 lbs.*
Tare weights: Body: 1.62 lbs. / .73 kgs.
Cover: .58 lbs. / .26 kgs.

Note: *Ratings will be reduced with uneven load distribution.

Specifications with Cover

Dimensions: 12-3/8"D. X 14-11/16"H
Maximum capacity: 5.6 USG / 21.2 L
Tare weight: 2.2 lbs. / .99 kgs.

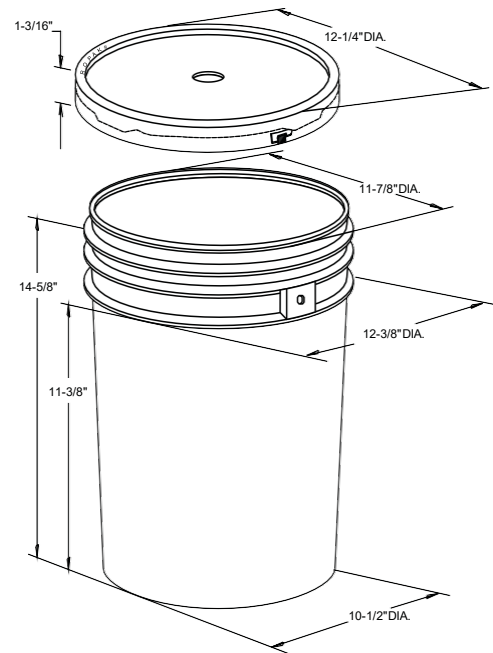
Colors

Standard: White, Black and Natural
Custom: Available at manufacturer's discretion

Decorating Options

Silk-Screening: 32"W X 8-3/4"H
Four or six* color offset printing
Print area: 34"W X 9-1/4"H
Sleeve or pressure sensitive labeling
NXT Graphics™

Note: *Where available



Shipping Data

Qty. per pallet/carton:
Gross Weight (lbs./kgs.)**:
Den. (lbs./C.F./kgs./m3):
Length (in./cm.):
Width (in./cm.):
Height (in./cm.):

Bodies

144
233.3/105.1
4.4/70
49.3/125.2
37.5/95.3
49.5/125.7

Covers

1,152 (24 boxes of 48)*
668.2/299.5
5.5/86.6
52/132.1
40/101.6
101.5/257.8

Filled Containers

36 (12 per layer / 3 layers high)
Pallet height: 48.8"

Estimated truckload quantity of 6,336 bodies and covers***

Notes: *Bulk pack also available
**Weight does not include pallet/packaging
***Truckload quantity based on 53' trailer

Materials

FDA approved materials
Resin: Body: Polypropylene (PP)
Cover: High-Density Polyethylene (HDPE)
Ethylene Propylene Diene Monomer (EPDM) Gasket

Optional Carrying Handle