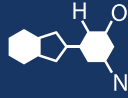


# IF YOU...



MIX IT. FILL IT. PACK IT. SHIP IT.

# WE HAVE A PRODUCT FOR YOU

Part #: 56WRWU

Round Plastic Pails

5 Gallon White Plastic Pail (90 mil) w/Metal Handle,  
UN Rated (P8 Series)



The  
**CARY**COMPANY  
Est. 1895

1195 W. Fullerton Ave. | Addison, IL 60101 | T: 630.629.6600 | F: 630.629.3690 |

## UN 5.0-Gallon Round Solid Packaging with EZ Cover®

### Multiple Uses

UN-solids rated in Canada to Y25/S  
UN-solids rated in US to Y27/S  
May also be used for non-hazardous liquids and solids

### Product Codes

Container: **U059**  
Description: 5.0-gallon round can

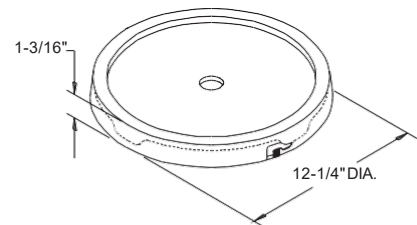
### Cover: **LTGZ**

Description: Tamper-evident, EZ Cover with four tabs and tubular gasket

### Features

Gauge: 90 mil.  
Nominal capacity: 5.0 USG / 19.0L  
Stack performance: 400 lbs.\*  
Tare weights: Body: 2.12 lbs. / .96 kgs.  
Cover: .60 lbs. / .27 kgs.

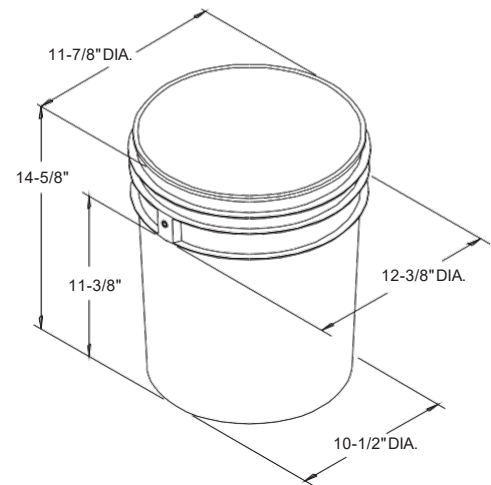
Note: \*Ratings will be reduced with uneven load distribution.



### Specifications with Cover

Dimensions: 12-3/8"D. X 14-7/8"H  
Maximum capacity: 5.6 USG / 21 L  
Tare weight: 2.72 lbs. / 1.23 kgs.\*

Note: \*With handle, add .10 lbs.



### Colors

Standard: White, Black and Natural  
Custom: Available at manufacturer's discretion

### Decorating Options

Silk - Screening: 32"W X 8-3/4"H  
Four or six\* color offset printing  
Print area: 34"L X 9-1/4"H  
Sleeve or pressure sensitive labeling

Notes: \*Where available

### Shipping Data

Qty. per pallet/carton:  
Gross Weight (lbs./kgs.)\*\*:  
Den. (lbs./C.F./kgs./m3):  
Length (in./cm.):  
Width (in./cm.):  
Height (in./cm.):

### Bodies

144  
305.3/138.5  
5.9/95.5  
49.3/125.2  
37.5/95.3  
49.5/127.7

### Covers\*

1152 (24 boxes of 48)  
691.2/311  
6.2/98.1  
51/129.5  
40/101.6  
95/241.3

### Filled Containers

36 (12 per layer / 3 layers high)  
Pallet height: 48.8"

Full truckload quantity of 6,336 bodies and covers\*\*\*

Notes: \*Bulk pack of 288 also available  
\*\*Weight does not include pallet/packaging  
\*\*\*Truckload quantity based on 53' trailer

### Materials

FDA approved materials  
Resin: Body: High-Density Polyethylene (HDPE)  
Cover: High-Density Polyethylene (HDPE) with Ethylene Propylene Diene Monomer (EPDM) Gasket

### Optional Carrying Handles

Plastic HDPE or  
Metal nine-gauge gal. steel