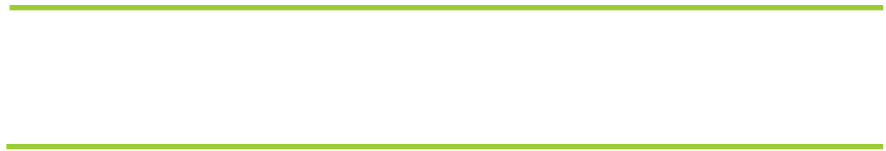


# IF YOU...



MIX IT. FILL IT. PACK IT. SHIP IT.

# WE HAVE A PRODUCT FOR YOU



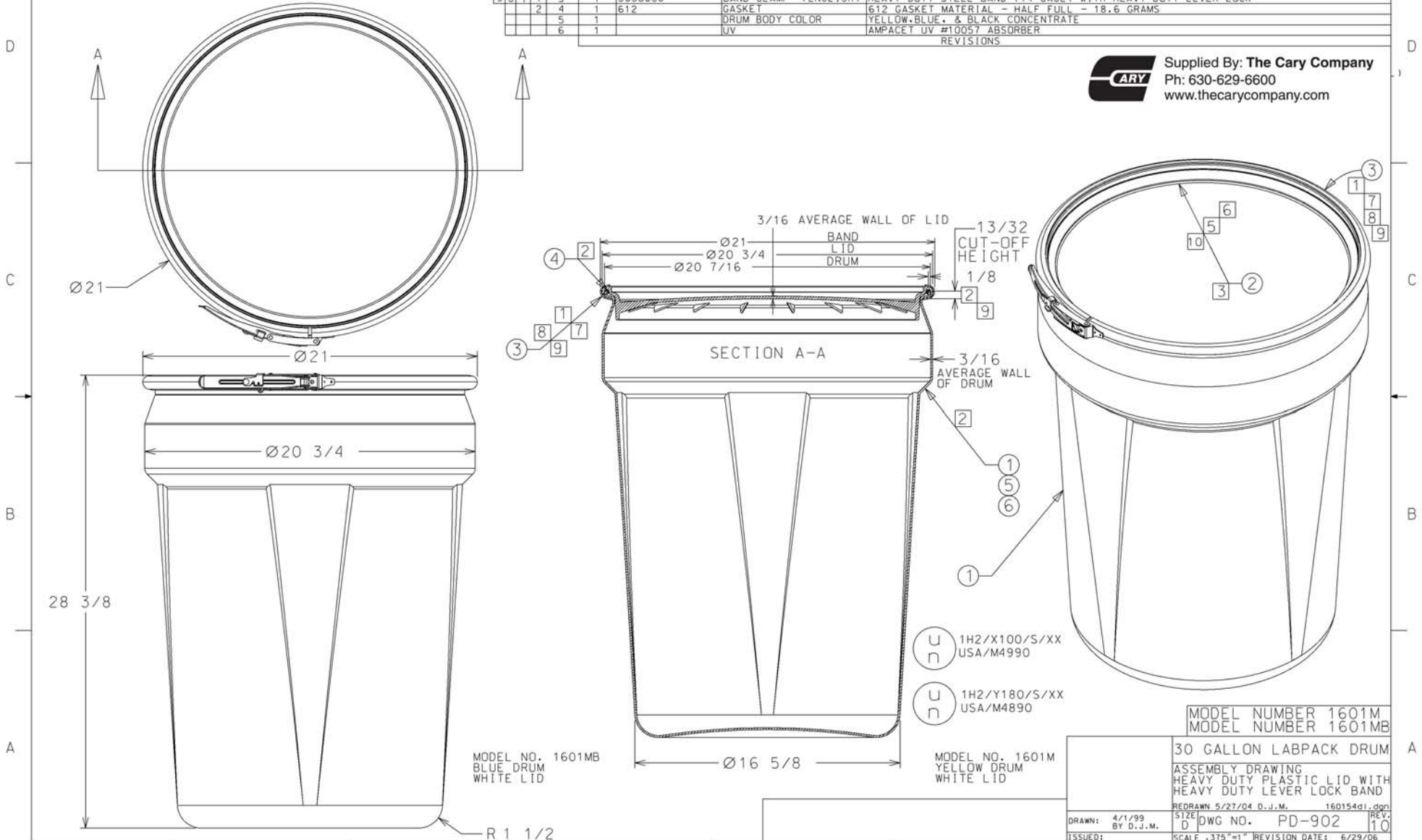
Part #	56WT31
Capacity	30 Gal.
Condition	New
Color	Blue
Material	HDPE
Closure	Cover W/ Lever Lock Ring
Pallet Pack	24 ea.
UN Rating Solid	UN1H2/X120/S, UN1H2/Y180/S



ISO APPROVAL FOR 10 REVISIONS:

REV. NO.	MARK	NO. REQ'D.	PART NUMBER	ITEM	BILL OF MATERIALS
2	1	1		DRUM BODY	SOLVAY #K54-05-175 HDPE PLASTIC RESIN (11 LBS.)
3	2	1	3600136 (WHITE)	LID	HEAVY DUTY PLASTIC COVER HDPE (2 3/4 LBS.) (P/N 3600217 BLUE)
7	3	1	3600606	BAND CLAMP (ENGLISH)	HEAVY DUTY STEEL BAND (14 GAGE) WITH HEAVY DUTY LEVER LOCK
2	4	1	612	GASKET	612 GASKET MATERIAL - HALF FULL - 18.6 GRAMS
5	1			DRUM BODY COLOR	YELLOW, BLUE, & BLACK CONCENTRATE
6	1			UV	AMPACET UV #10057 ABSORBER

**CARY** Supplied By: The Cary Company  
 Ph: 630-629-6600  
 www.thecarycompany.com



- 1H2/X100/S/XX USA/M4990
- 1H2/Y180/S/XX USA/M4890

MODEL NUMBER 1601M
MODEL NUMBER 1601MB
30 GALLON LABPACK DRUM
ASSEMBLY DRAWING
HEAVY DUTY PLASTIC LID WITH
HEAVY DUTY LEVER LOCK BAND
REDRAWN 5/27/04 D.J.M. 160154d1.dgn
SIZE D
DWG NO. PD-902
SCALE .375"=1" REVISION DATE: 6/29/06
DRAWN: 4/1/99 BY D.J.M.
ISSUED: