

# Part#: 56WTEN



Part #

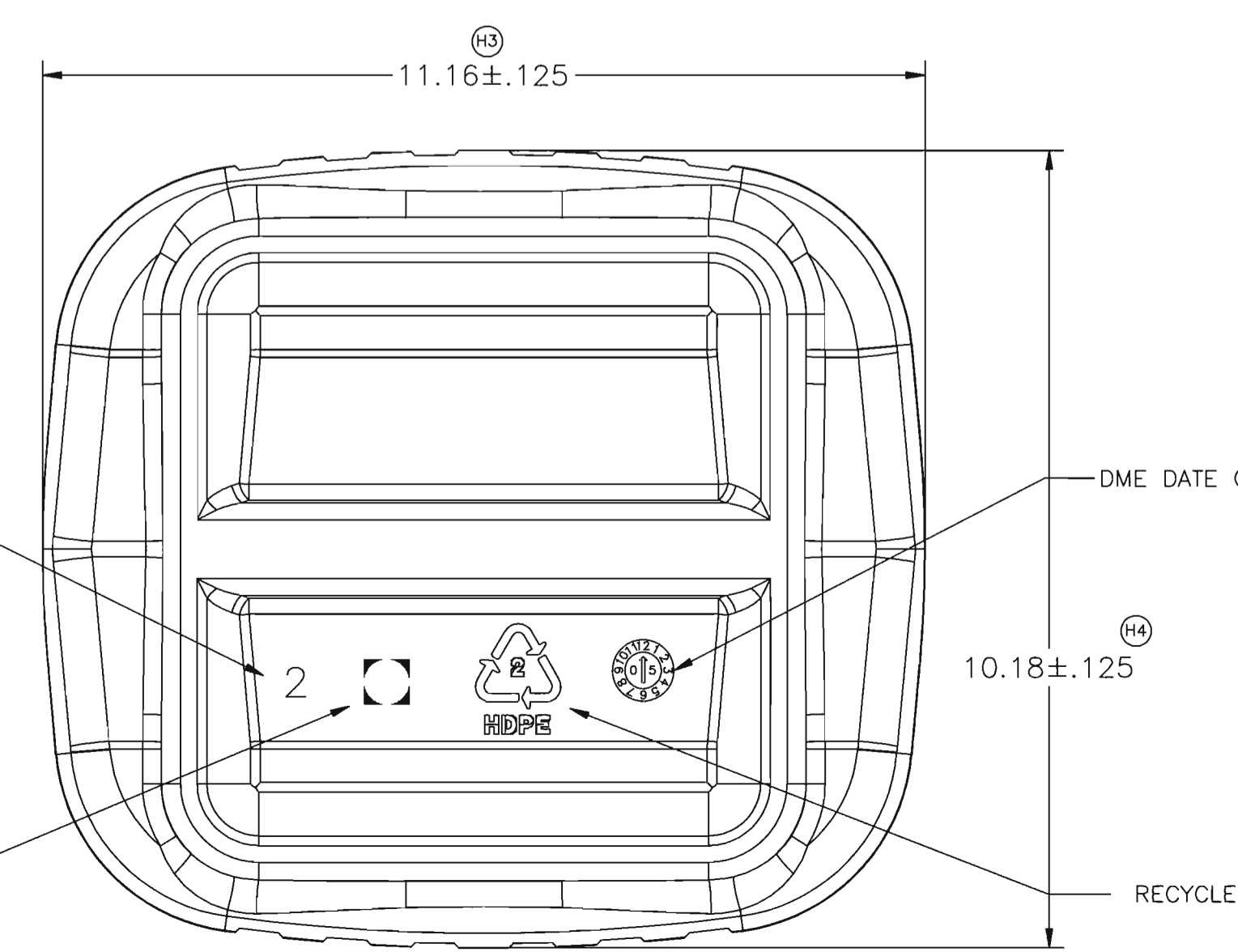
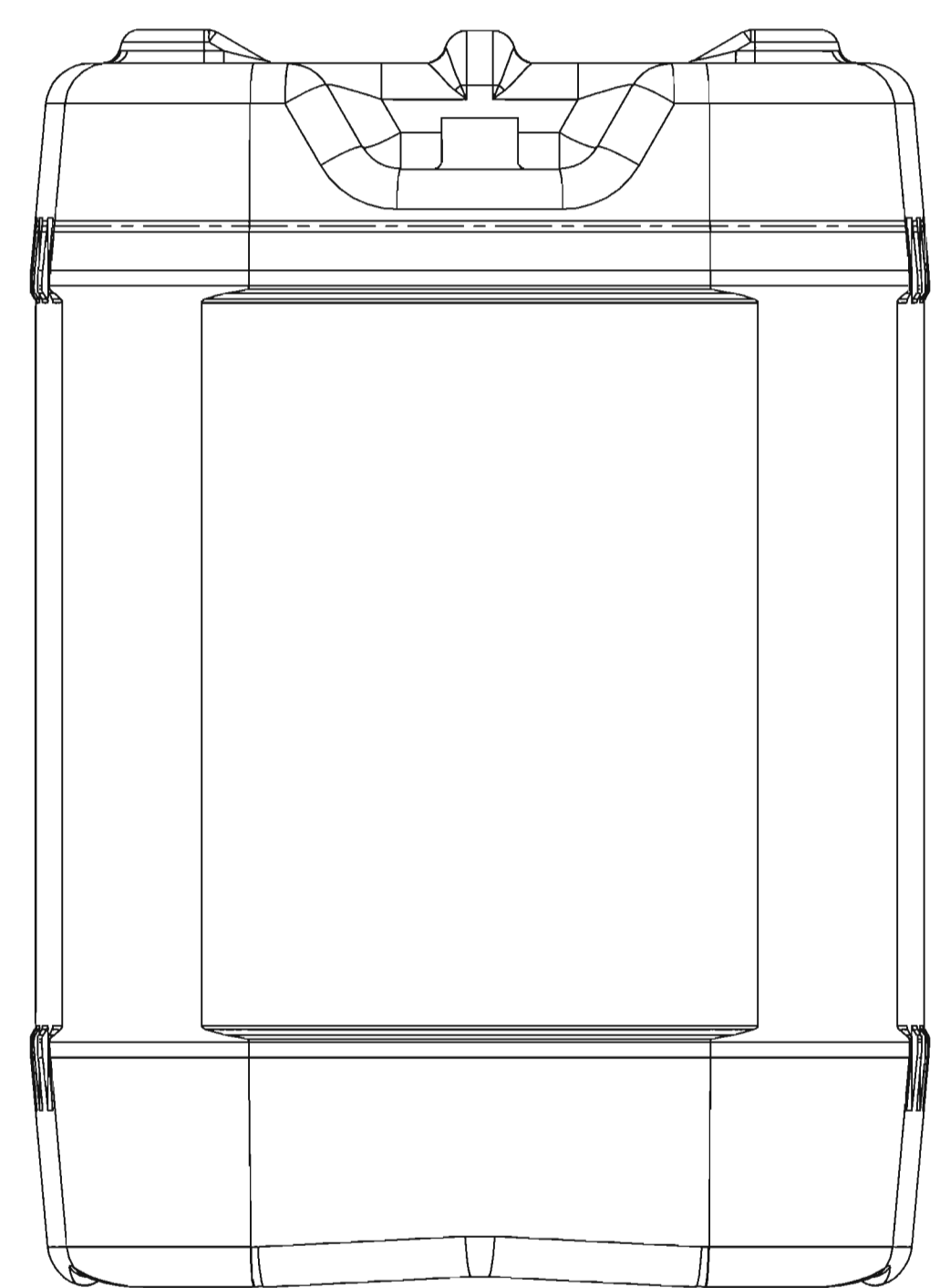
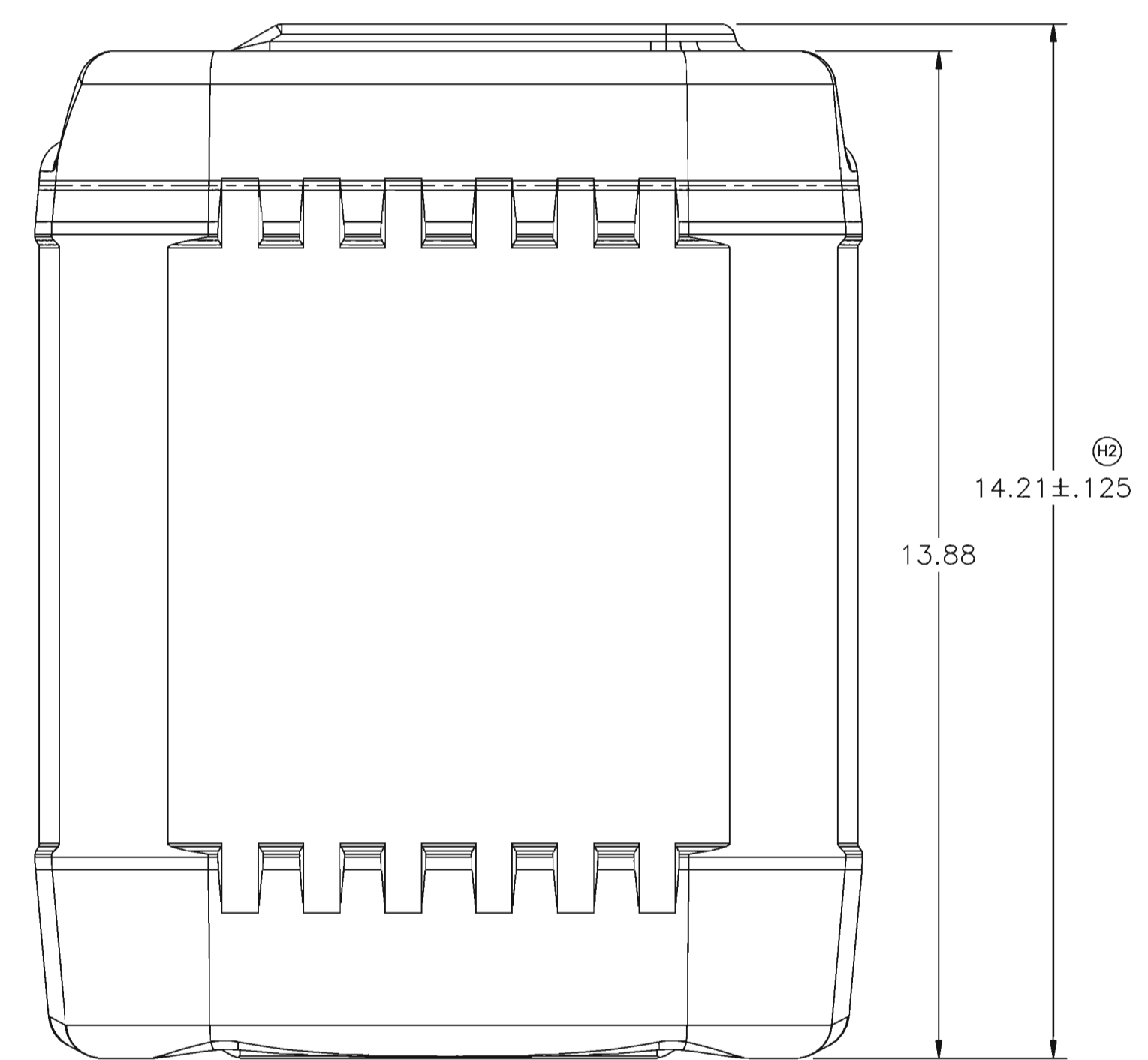
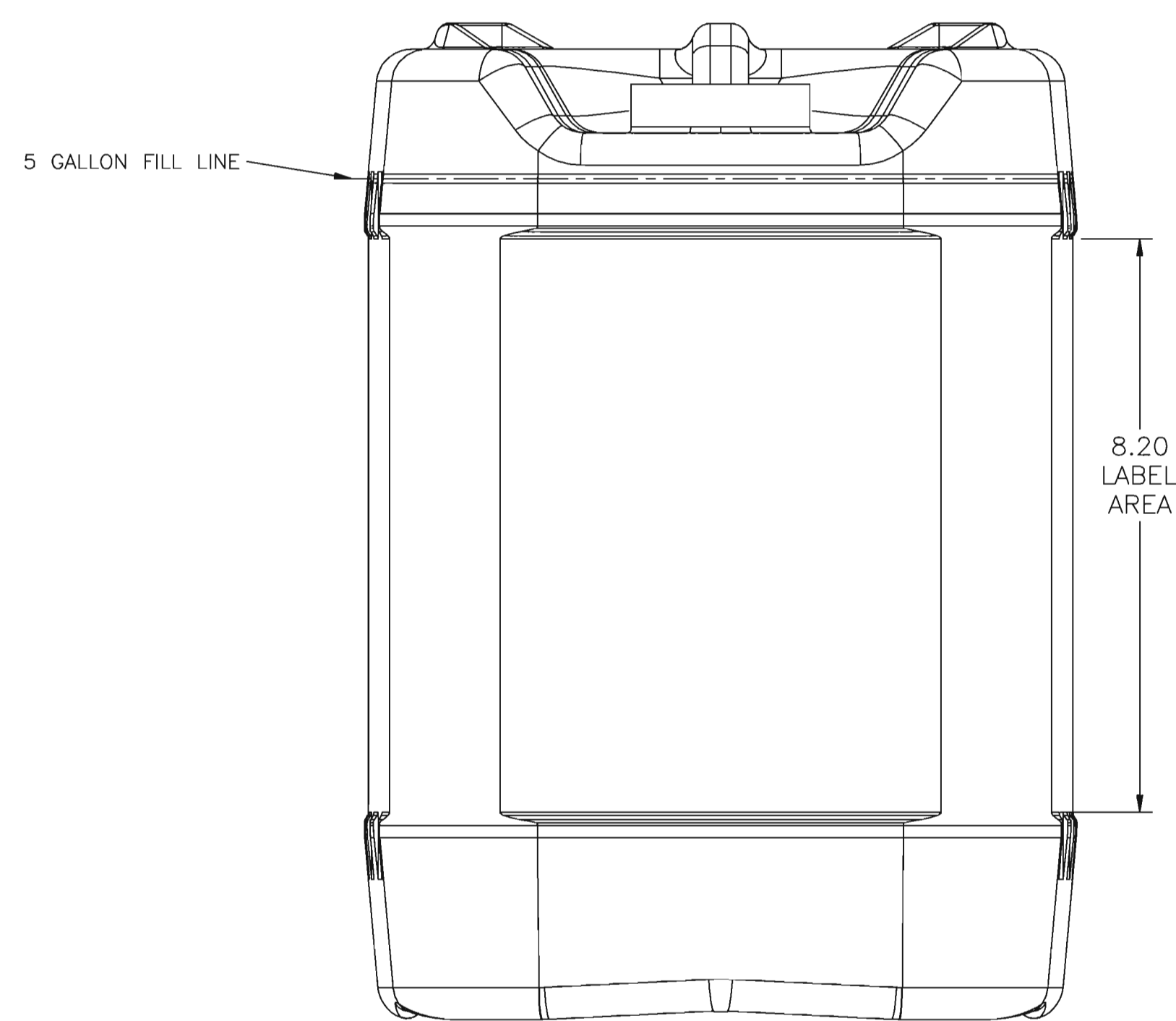
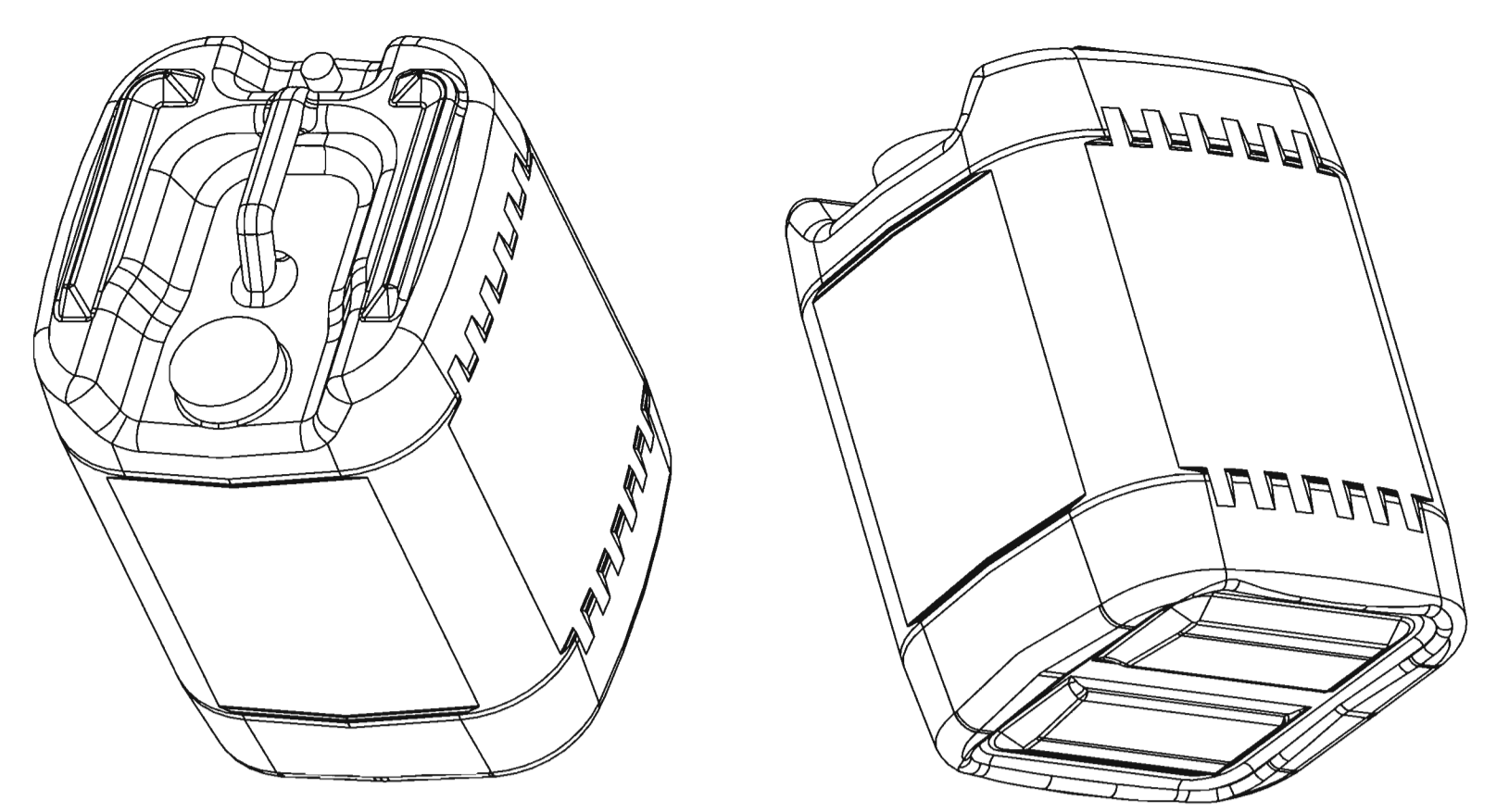
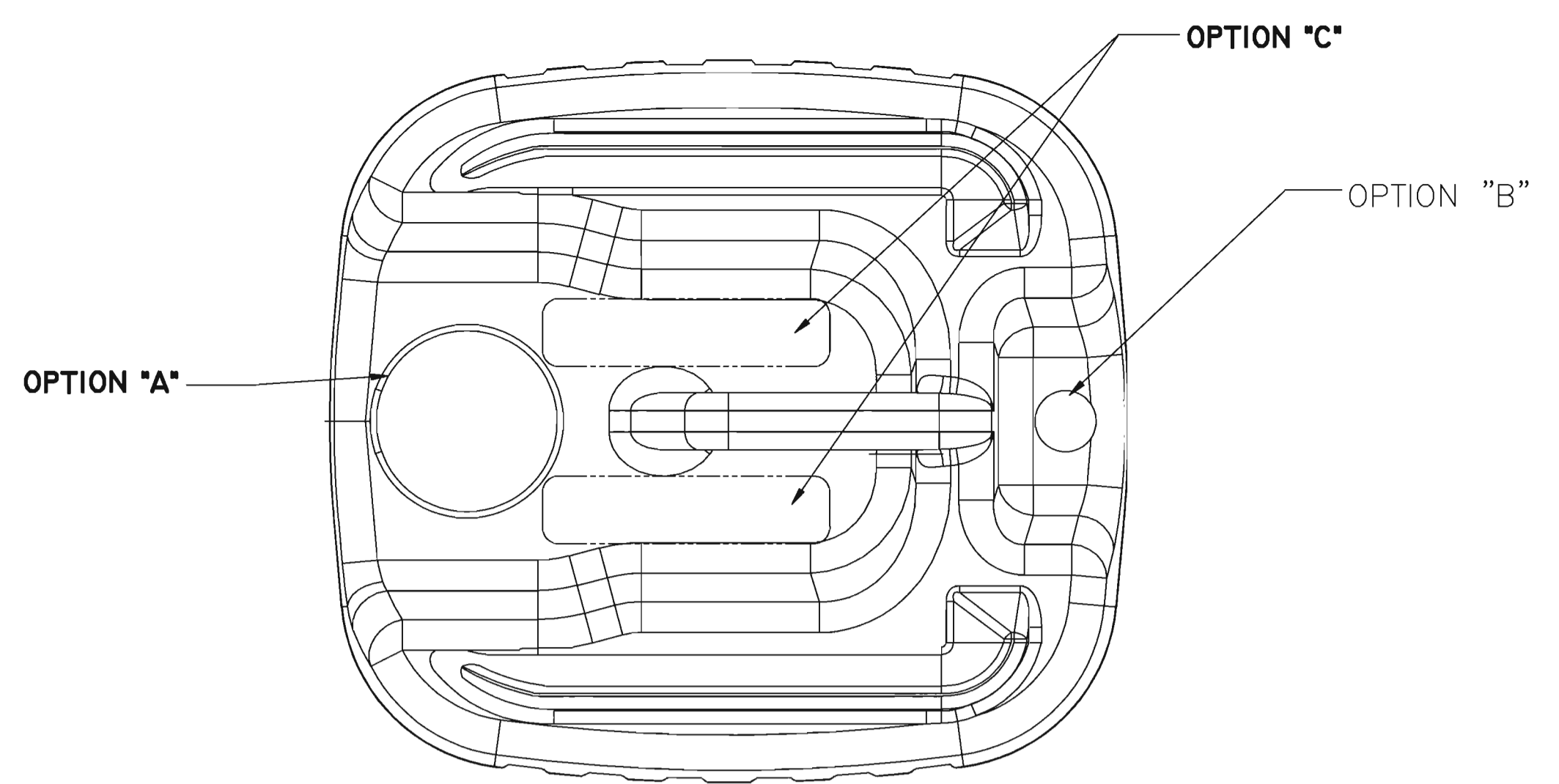
56WTEN



Supplied By: **The Cary Company**  
Ph: 630-629-6600  
[www.thecarycompany.com](http://www.thecarycompany.com)



OPTION	DRAWING	DESCRIPTION
A	7945 SHEET 2	PRIMARY NECK FINISH
B	7945 SHEET 2	SECONDARY NECK FINISH
C	7945 SHEET 2	NAMEPLATES
D	7945 SHEET 1 (NOTE 4)	OPTIONAL WALL THICKNESS



NOTES:

1. RATED CAPACITY: 5 GALLONS  
OVERFLOW CAPACITY: 5.1 GALLONS
2. UNLESS OTHERWISE SPECIFIED, SPI/PBI BODY DIMENSIONAL TOLERANCES APPLY. SEE PBI TECHNICAL BULLETIN PBI2.
3. STANDARD MIN. WALL THICKNESS  
REUSABLE CONTAINER - .044  
NON-REUSABLE CONTAINER - PER UN CERTIFICATION
4. OPTIONAL MIN. WALL THICKNESS (IF SPECIFIED BY CUSTOMER)  
BOTTOM CORNERS - 0.055  
TOP CORNERS - 0.050  
ALL OTHER POINTS - 0.044

-	7/08	Q	WAS OLD LOGO	TV
E05-010	5/05	P	"E" 2.565/2.590 WAS 2.548/2.572	ES
-	3/05	O	ADD NECK OPTION "A4"	ES
E05-005	1/05	N	"C" #.317/.36 WAS #.35	ES
E05-004	1/05	M	"C" #.755/.780 WAS #.755/.782	ES
E04-034	12/04	L2	"C" #2.28MIN WAS #2.31	ES
E04-029	12/04	K	"T" #2.744/2.783 WAS #2.73/2.75	ES
E04-025	7/04	J	"H" DIM. .830/.855 WAS .840/.882	ES
-	6/04	I	UPDATED PRINT DIMENSIONS	ES



Supplied By: The Cary Company  
Ph: 630-629-6600  
www.thecarycompany.com

DRAWN BY:	DATE:	REVISED:	DRAWING DESCRIPTION:
DAC	5/18/99	7/16/08	5 GALLON CONTAINER
CHECKED BY:	DATE:	SCALE FACTOR:	(BM-184/185)
TRV	-	1:2	
TOLERANCES UNLESS OTHERWISE SPECIFIED			ITEM NUMBER:
MATERIAL:			7945
DO NOT SCALE PRINT			SHEET 1 of 2
DRAWING NUMBER:			7945