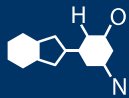


# IF YOU...



MIX IT. FILL IT. PACK IT. SHIP IT.

# WE HAVE A **PRODUCT** FOR YOU

Part # 56WTU5

Plastic Tight Head Square & Rectangular Containers

**5 Gallon (20L) Blue Plastic Tight Head  
Container, 70mm (6TPI), Vent, UN Rated**

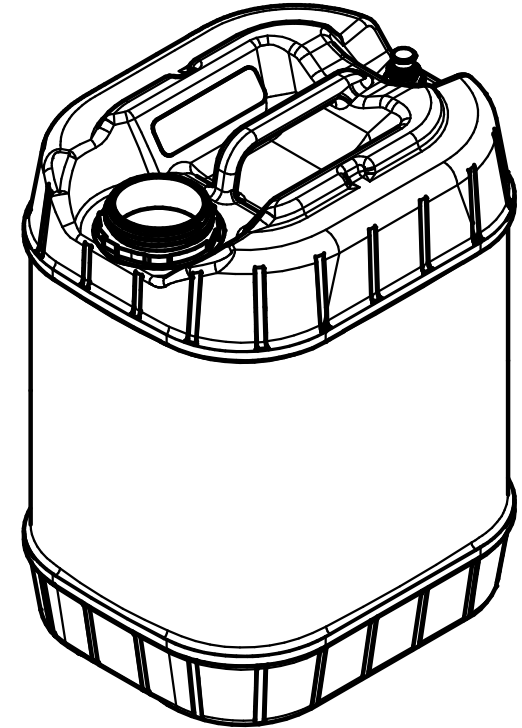
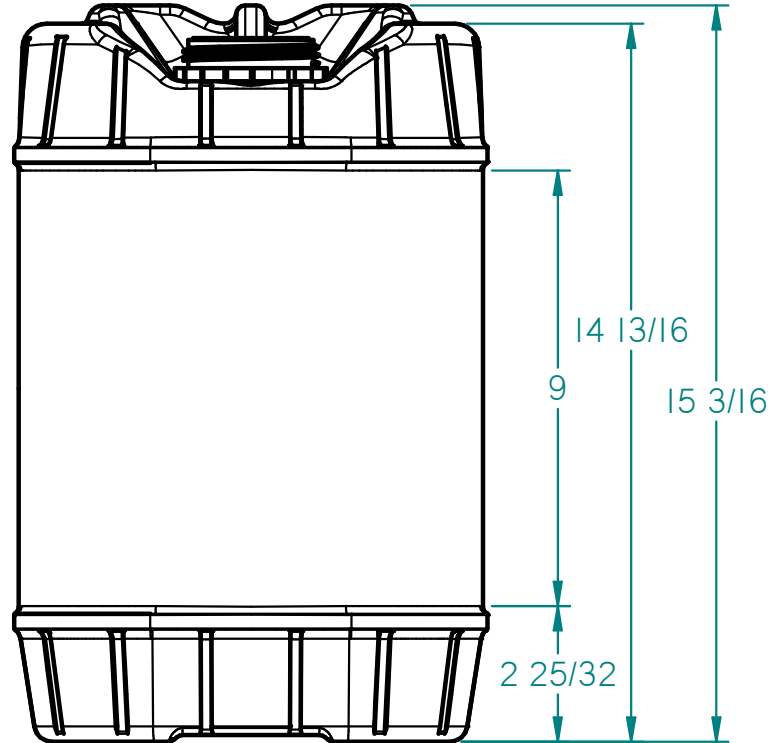
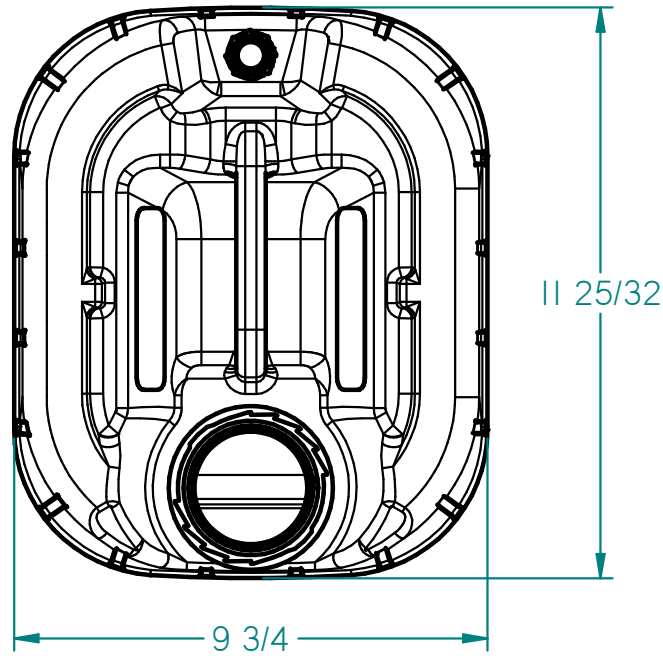


The  
**CARY**COMPANY  
Est. 1895

1195 W. Fullerton Ave. | Addison, IL 60101 | T: 630.629.6600 | F: 630.629.3690 | [TheCaryCompany.com](http://TheCaryCompany.com)

NOTES:

1. MATERIAL: BLOW MOLD HDPE
2. COLOR: WHITE, BLACK, BLUE NATURAL
3. RATED CAPACITY: 20 LITER
4. OVERFLOW CAPACITY: 21 LITER
5. U/N RATED: Y1.8/I50
6. TARE WEIGHT TARGETED: 1225g
7. TARE WEIGHT RANGE: 1200g-1250g
8. MINIMUM WALL THICKNESS: 0.045"
9. 70mm X 6tpi NECK
10. 21mm TE VENT



REV	CHANGE	DATE	BY	DATE	SCALE	MATERIAL	DRAWN	CHECKED	APPRVD
		20JUL2022				BMD			
					<p>The <b>CARY COMPANY</b> Est. 1895</p> <p>TITLE TIGHTHEAD, 20 LITER RST</p> <p>DRG. No. T-10040-003-OEV</p>				