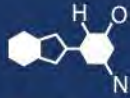


# IF YOU...



MIX IT. FILL IT. PACK IT. SHIP IT.

# WE HAVE A PRODUCT FOR YOU

Part #: 56WVP3

---

---



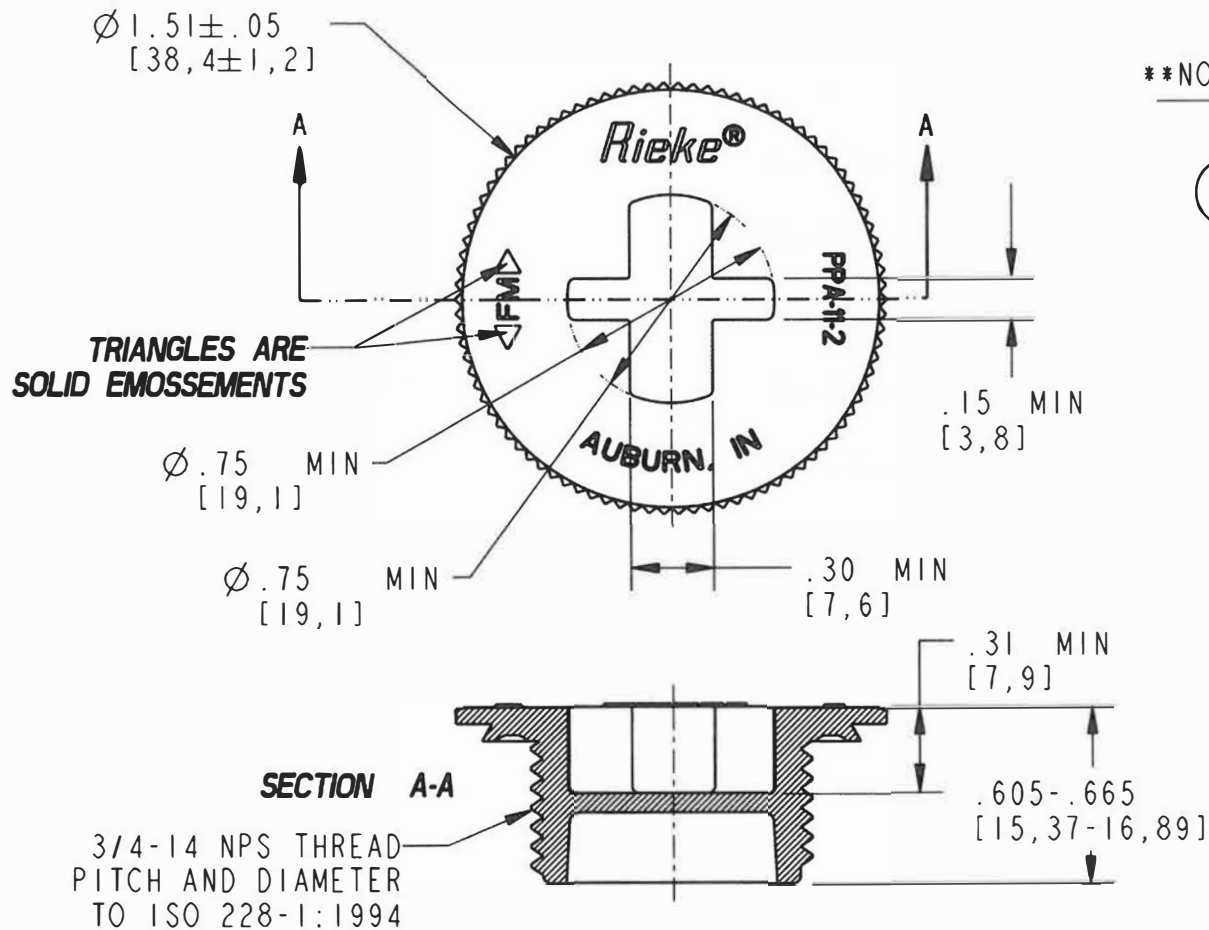
---

The  
**CARY**COMPANY  
Est. 1895

1195 W. Fullerton Ave. | Addison, IL 60101 | T: 630.629.6600 | F: 630.629.3690 |

<b>Customer Product Specification</b>	
Description	PPA-11-2-143 ¾" Plug w/PTFE Vent and GK091W gasket
Specification Number	02030030
Date	February 1, 2019
Prepared By	Lee Olinske
Approved By	Brian Jordan

<b>Parameter</b>	<b>Specification</b>
Material(s) of Construction	Polypropylene
Standard Color (Other Colors Available Upon Request)	Natural
Nominal Dimensions in Inches (mm)	¾"
Opening Print Drawing Number Revision	M0665 D
Special Markings	"FM"
Accessories	GK091W EPDM Gasket TFE Microporous Vent
Applied Torque	9 ft/lbs (+15/-10%)
Method of Delivery	1000 pcs/carton ~15 lbs gross/carton 27 cartons/pallet
Components	¾" Plastic plug with TFE vent
Drawing Number Revision	28000986 E



**\*\*NOTE\*\* ALL DRAWING REVISIONS  
MUST BE APPROVED BY F.M.**

(E1)



PRO/E  
**CUSTOMER DRAWING**

BREAK ALL SHARP EDGES WITH 1/64" RADIUS, UNLESS OTHERWISE SPECIFIED		DATE	DRAWN BY	E	E1) ADD **NOTE** ALL DRAWING REVISIONS MUST BE APPROVED BY F.M.	11-SEP-03	VLV	The <b>CARY COMPANY</b> Est. 1895			
		21-Dec-00	ARK	D	D1) ADD FM LOGO D2) ADD PPA-11-2 3) ADD AUBURN, INDIANA	04-MAR-03	VLV				
THE FOLLOWING TOLERANCES APPLY UNLESS OTHERWISE SPECIFIED:		SCALE	CHECKED JPS	C	MODIFIED DRAWING TO COMPLY WITH PRODUCTION 1.510 WAS 1.524, .75 WAS .716 IN 2 PLACES, .605/.665 WAS .634, .31 WAS .27	19-JUL-02	RDR	DETAIL NAME PPA-11-2			
				ANGLES	± 1/4°	B	B1) DIM CHANGED FROM 0.75 TO 0.716 B2) DIM CHANGED FROM 0.625 TO 0.634	21-JUN-02	SB	TOOL ASS'Y NAME	
HUNDREDTH	± .010	NTS	APPROVED	A	ADDED RIEKE LOGO	27-MAR-01	RDR	PRODUCT	PPA-11-2	TOOL ASS'Y NUMBER	
THOUSANDTH	± .005			CHANGE NUMBER	CHANGE	DATE	BY	DRAWING NUMBER	28000986	DETAIL NUMBER	
				THIS DOCUMENT AND ITS CONTENTS DISCLOSE INFORMATION THAT IS PROPRIETARY TO THE CARY COMPANY. NEITHER POSSESSION OR RECEIPT OF THIS DOCUMENT, OR ITS INTENT, CONFERS OR TRANSFERS ANY RIGHT TO REPRODUCE, USE, OR DISCLOSE ANY PART OF ITS CONTENT EXCEPT BY WRITTEN AUTHORIZATION FROM THE CARY COMPANY.				FOR			
								MATERIAL	TEMPER		