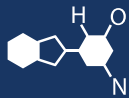


# IF YOU...



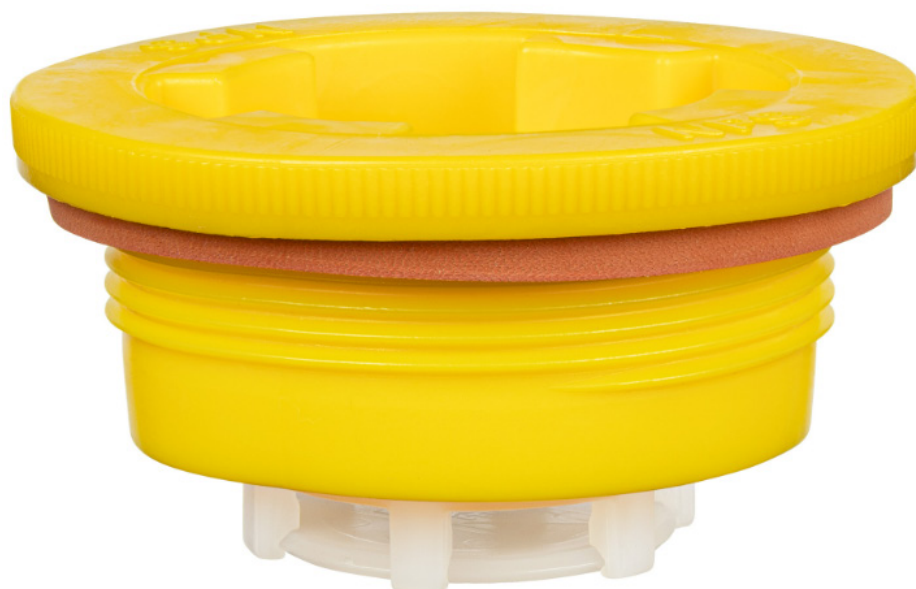
MIX IT. FILL IT. PACK IT. SHIP IT.

# WE HAVE A PRODUCT FOR YOU

Part #: 56WY2V

Drum Plugs

2" NPS Yellow HDPE Drum Plug with Vent,  
Splash Guard, EPDM Gasket

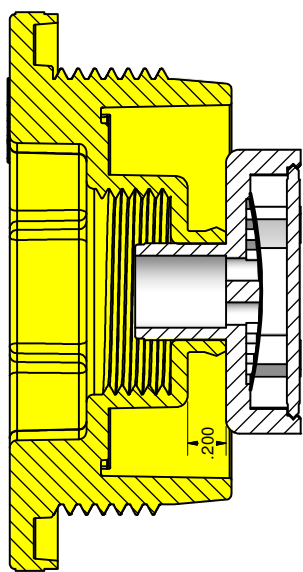
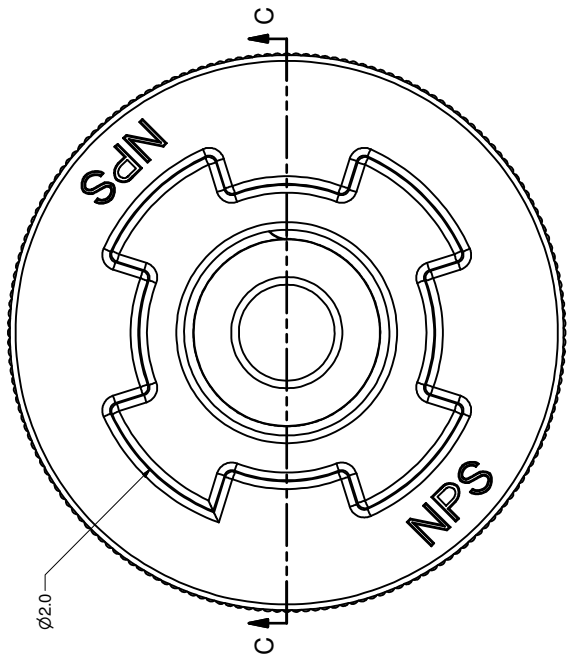
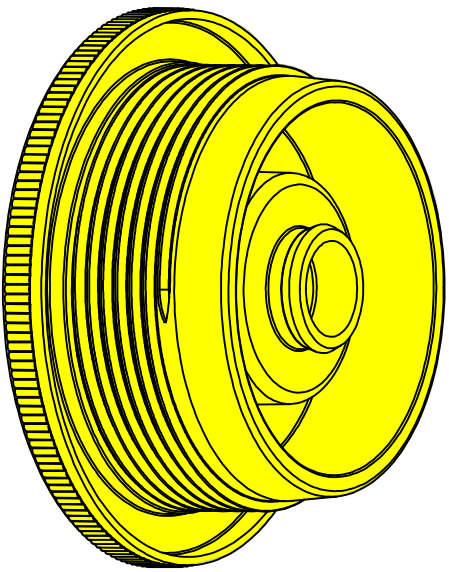


The  
**CARY**COMPANY  
Est. 1895

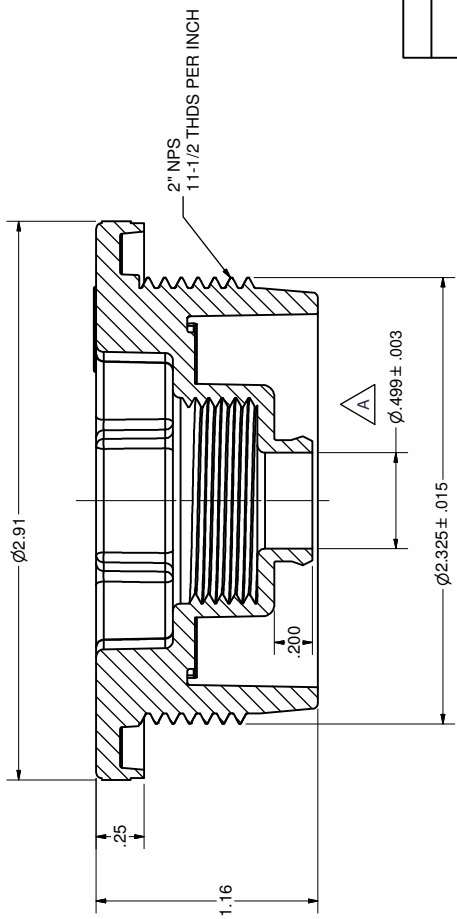
1195 W. Fullerton Ave. | Addison, IL 60101 | T: 630.629.6600 | F: 630.629.3690 |

REV	DESCRIPTION	BY	DATE	APPROVED
A	CHANGED .495 to .499	TN	3/12/09	RU

REVISION HISTORY



ASSEMBLY



SECTION C-C

TOLERANCE		DECIMALS	
BREAK ALL SHARP EDGES UNLESS SPECIFIED	$\pm .164$	XX	$\pm .005$
ANGLES SPECIFIED	$\pm 0' 30''$	.XXXX	$\pm .002$
DO NOT SCALE PRINT		.XXXX	$\pm .005$

MATL	HDPE	PTH TR:	
SHEET	1	OF	1
DESIGNED:		SCALE:	2:1
DRAWN:	T. NAVA	DATE:	11/18/08
CHECKED:	R. JULIEN	DATE:	11/18/08
REV		DWG NO:	1011-83-C-04
REV		DATE:	11/18/08

The CARY COMPANY EST. 1895	
TITLE L-16 NPS PLUG W/ GORE VENT	

NOTICE

ASSEMBLY