

Part#: 57W399



**70mm Torque Wrench Closing Tool**

Cary Code# 57W399 - W399-PT01 70mm Torque wrench with a 10ft lb setting for FS-60, FS-70 & FS-80 screw caps.

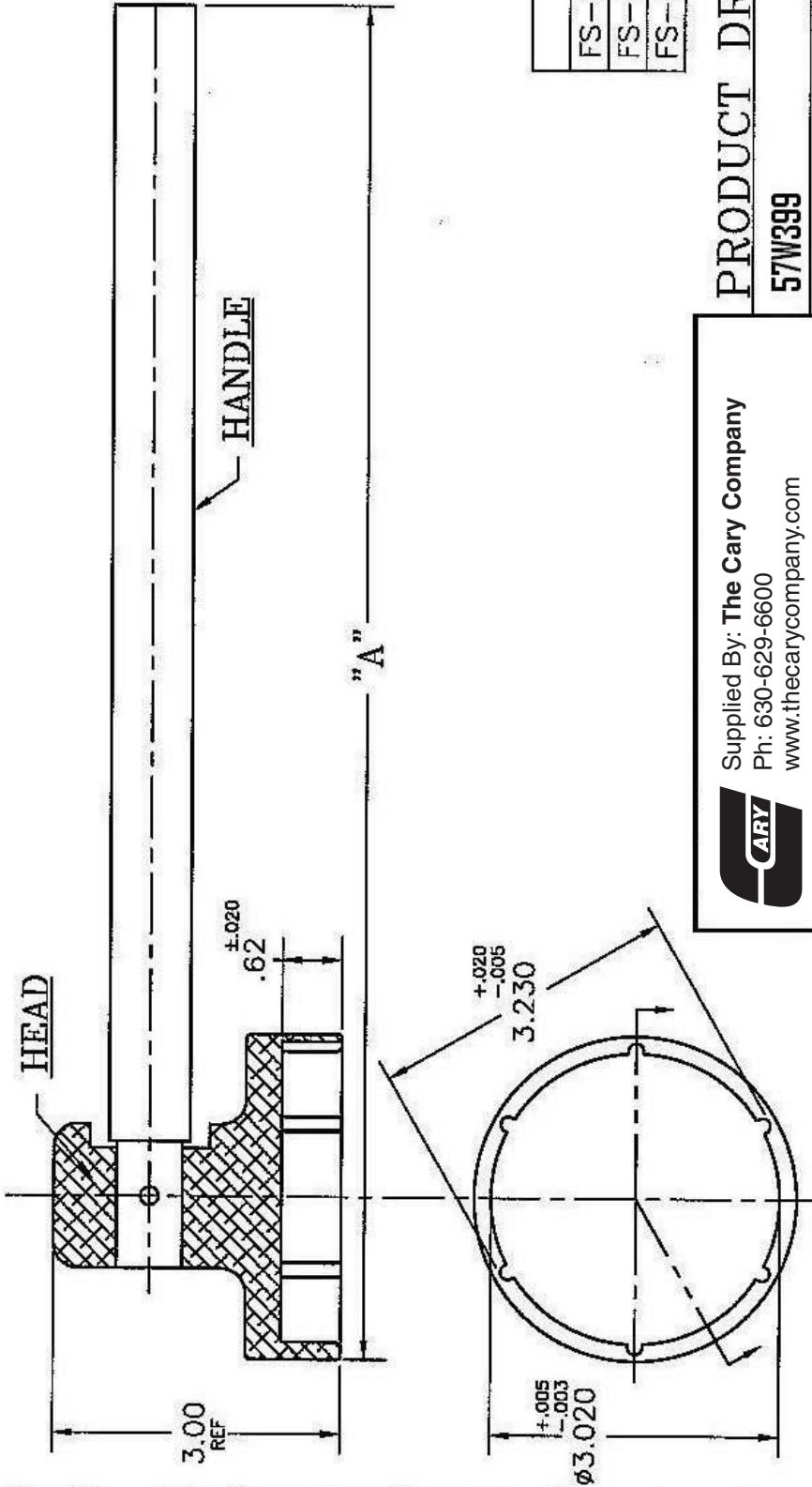


Supplied By: **The Cary Company**

Ph: 630-629-6600

[www.thecarycompany.com](http://www.thecarycompany.com)

DETAIL #	COLOR	HEAD MATERIAL	HANDLE	TORQUE
W0399-PT-01	SILVER/BLACK	ALUMINIUM	PRESET TORQUE TAPED W/RUBBER	$+15\%/-10\%$ (FT-LBS)
				9
				"A" $\pm .25$
				14.87



SCREW CAPS	
FS-60	
FS-70	
FS-80	


 Supplied By: The Cary Company  
 Ph: 630-629-6600  
 www.thecarycompany.com

**PRODUCT DRAWING**

57W399	WRENCH
DETAIL NAME	WRENCH
TOOL ASSY. NAME	SCREW CAP WRENCH
PRODUCT	SEE CHART
DRAWING NUMBER	24000095
FOR	
MATERIAL	SEE CHART
TEMPER	SEE CHART
DETAIL NUMBER	W0399
TOOL ASSY NUMBER	W0399
SEE CHART	SEE CHART

BREAK ALL SHARP EDGES WITH 1/64" RADIUS, UNLESS OTHERWISE SPECIFIED	DATE	DRAWN BY	CHANGE NUMBER	DATE	BY
THE FOLLOWING TOLERANCES APPLY UNLESS OTHERWISE SPECIFIED:	3-31-00	J. HESS			
ANGLES	SCALE	CHECKED	CHANGE		
HUNDRETH	NTS	GAM			
THOUSANDTH		APPROVED			
$\pm 1/4"$					
$\pm .015$					
$\pm .002$					