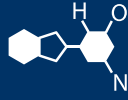


IF YOU...



MIX IT. FILL IT. PACK IT. SHIP IT.

WE HAVE A **PRODUCT** FOR YOU

Part # 57W4LW

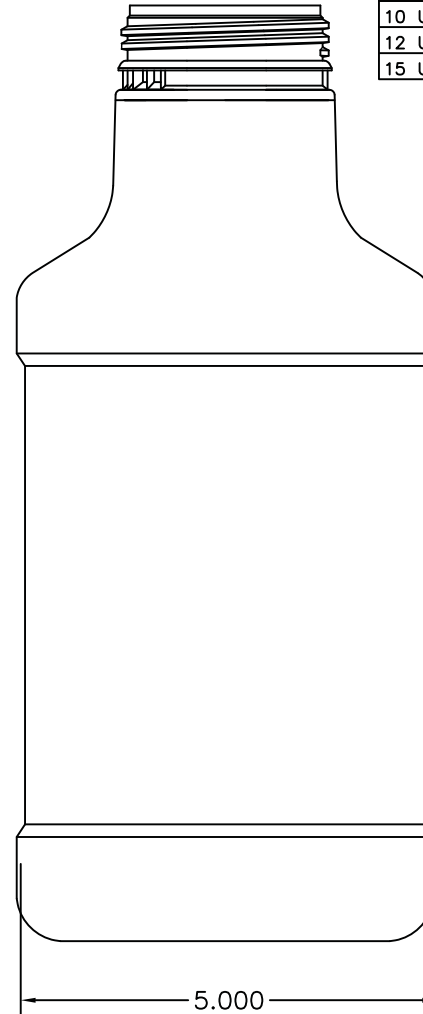
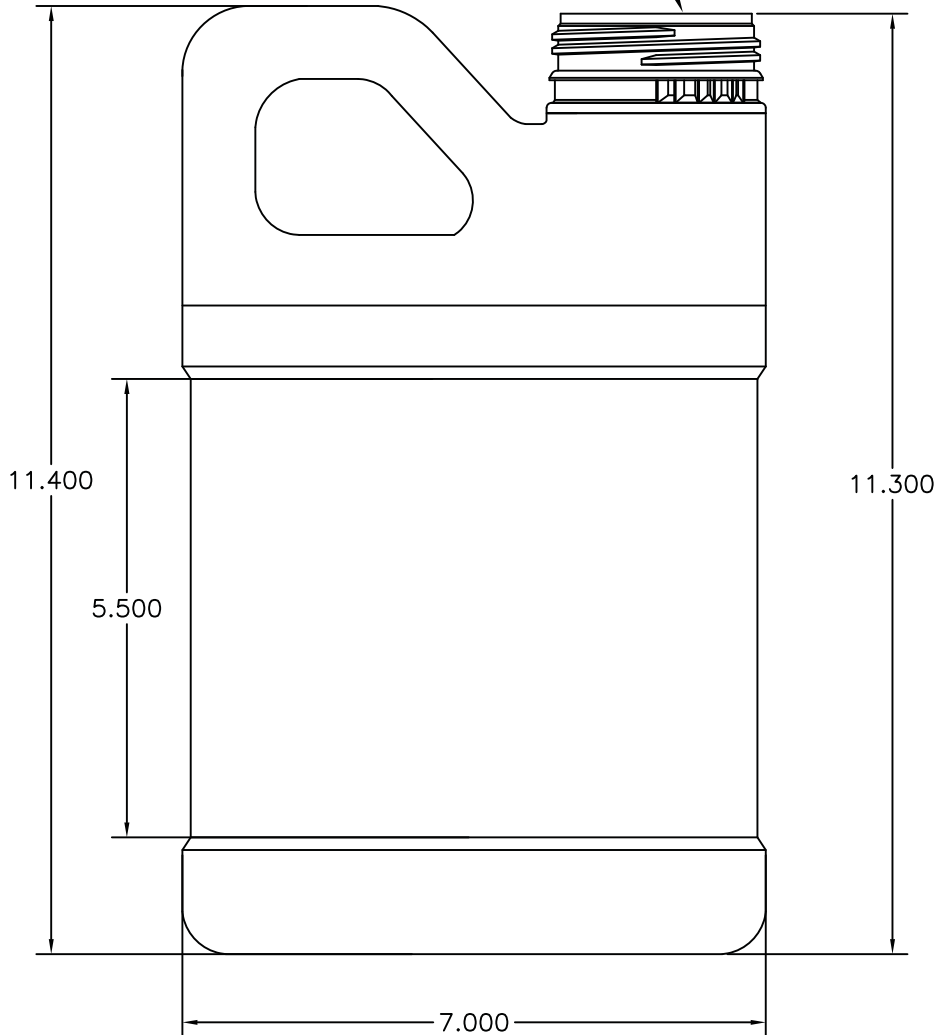


The
CARYCOMPANY Est. 1895
 PH 630-629-6600 - FX 630-629-3690
 1195 W. FULLERTON AVE. - ADDISON, IL 60101
 WWW.THECARYCOMPANY.COM

SOCIETY OF PLASTICS INDUSTRY (SPI)
 BODY DIMENSIONAL TOLERANCES

RANGE OF SPECIFIC DIMENSIONS	HEIGHT DIMENSIONS	WIDTH & DEPTH DIMENSIONS
0 UP TO BUT NOT INCLUDING 1	.030	.030
1 UP TO BUT NOT INCLUDING 2	.030	.050
2 UP TO BUT NOT INCLUDING 4	.050	.060
4 UP TO BUT NOT INCLUDING 6	.050	.080
6 UP TO BUT NOT INCLUDING 8	.060	.090
8 UP TO BUT NOT INCLUDING 10	.060	.110
10 UP TO BUT NOT INCLUDING 12	.080	.120
12 UP TO BUT NOT INCLUDING 15	.090	.150
15 UP TO BUT NOT INCLUDING 18	.110	.150

63mm-RIEKE TE/ABO
 NECK FINISH



F			
E			
D			
C			
B			
A			
REV.	CHANGE	DONE BY	DATE



Supplied By: **The Cary Company**
 Ph: 630-629-6600
 www.thecarycompany.com

Drawing # P-2081
 FILE NAME: 4 Ltr-1gal VF-63-RkTEABO
 DATE: 3/02/04

UNITS: INCHES	DRAWN BY: S.T.
APPROVED BY:	SCALE: NONE