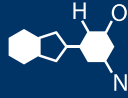


# IF YOU...



MIX IT. FILL IT. PACK IT. SHIP IT.

# WE HAVE A PRODUCT FOR YOU

Part # 57W5ST

Round Plastic Pails

## 5 Gallon White Straight-Sided Plastic Pail w/Lid & Metal Handle, UN Rated (P6 Series)



The  
**CARY**COMPANY  
Est. 1895

1195 W. Fullerton Ave. | Addison, IL 60101 | T: 630.629.6600 | F: 630.629.3690 | [TheCaryCompany.com](http://TheCaryCompany.com)

## 5.0 Gallon Straight Sided "Grease" Pail with Tear Skirt Cover

*\*Note: Available with UN-Solids Y25/S rating for Packaging Group II and III (USA & Canada)*

### Multiple Uses

Grease Products  
Silicon Products  
Dry Products

### Product Codes

Container: **7502, 5500 Series, 5556**  
Description: 5.0 gallon 90 mil "Grease" Pail

### Cover: 4580 Series

Description: Tear Skirt "Grease" Cover  
*Note: \*Multiple fitting and venting options available*

### Features

Gauge: 90 mil.  
Nominal capacity: 5.0 USG / 19.0 L  
Tare weights: Body: 2.01 lbs. / .911 kgs  
Cover: .61 lbs. / .275 kgs.

### Specifications with Cover

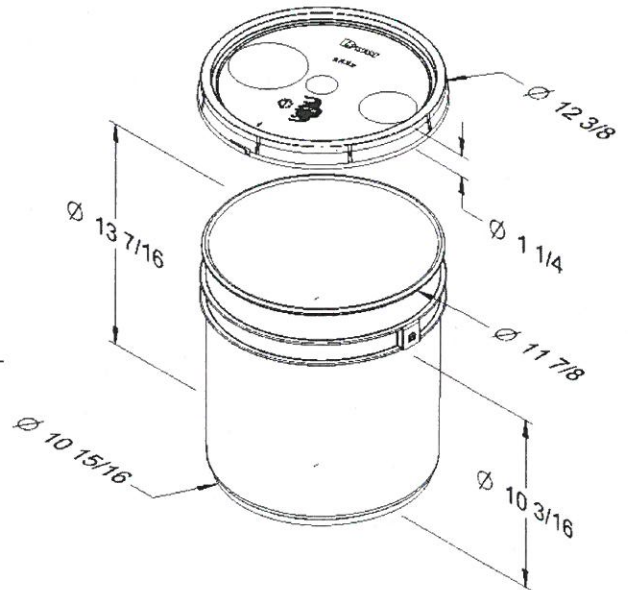
Dimensions: 12-3/8" D X 13-9/16"H  
Maximum capacity: 5.36 USG / 21.2 L  
Tare weight: 2.62 lbs. / 1.19 kgs.

### Colors

Standard: White, Black and Natural  
Custom: Available at manufacturer's discretion

### Decorating Options

Four color offset printing  
Print area: 33"W x 8-1/2"H  
Sleeve or pressure sensitive labeling



### Shipping Data

Qty. per pallet/carton: 36\*  
Gross Weight (lbs/kgs.)\*\*: 94 / 43  
Length (in./cm.): 48 / 122  
Width (in./cm.): 36 / 91.4  
Height (in./cm.): 13.5 / 47

### Packages

### Filled Containers

36 (36 per layer / 1 layers high)  
Pallet Height: 18.5"

Estimated truckload quantity of 1,008 bodies and covers\*\*\*

*truckload qty - 2,160*

Notes: \*Quantity can vary based on customer request

\*\*Weight does not include pallet/packaging

\*\*\*Truckload quantity based on 53' trailer

### Materials

FDA approved materials  
Resin: Body: High-Density Polyethylene (HDPE)  
Cover: High-Density Polyethylene (HDPE)  
Gasket: Ethylene Propylene Diene Monomer (EPDM)

### Optional Carrying Handle

Wire or Plastic

MSDS Sheets available upon request