

IF YOU...



MIX IT. FILL IT. PACK IT. SHIP IT.

WE HAVE A **PRODUCT** FOR YOU

Part #57W62P

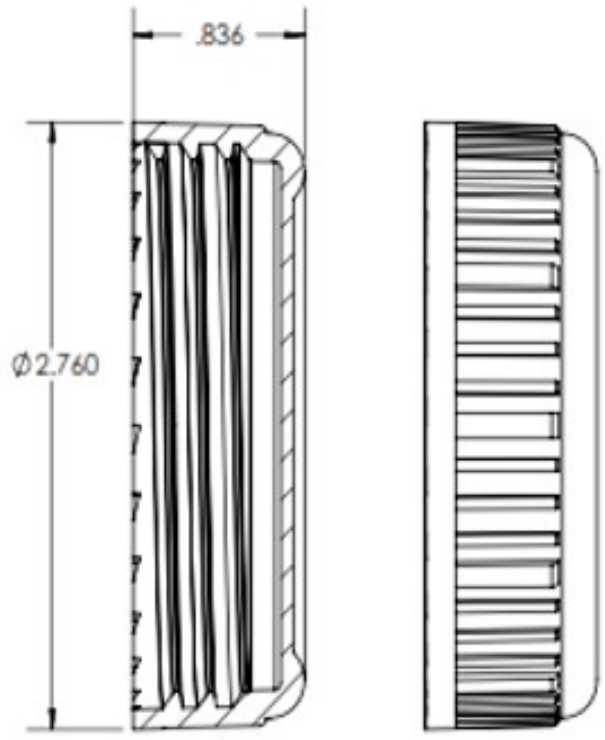
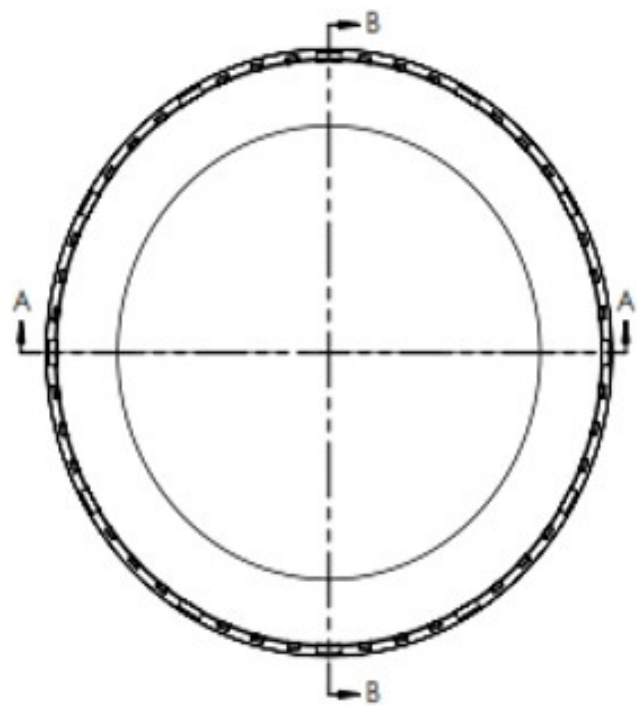
Continuous Thread Caps

**63mm 63-485 White Ribbed Heavy Weight Cap
w/Foam & PS Liners**

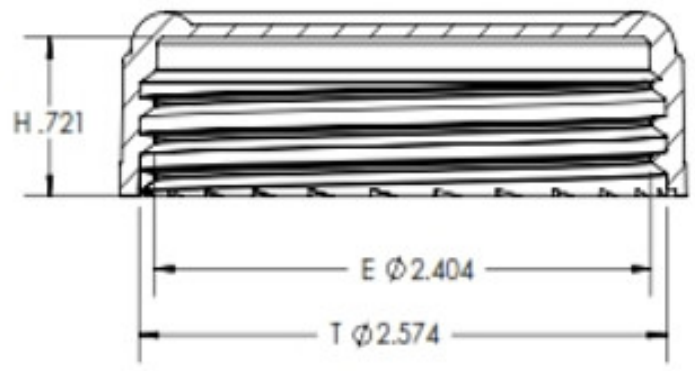


The
CARYCOMPANY
Est. 1895

1195 W. Fullerton Ave. | Addison, IL 60101 | T: 630.629.6600 | F: 630.629.3690 | TheCaryCompany.com



SECTION B-B



SECTION A-A

6 THREADS PER INCH
.167 LEAD 2 TURNS

