

IF YOU...

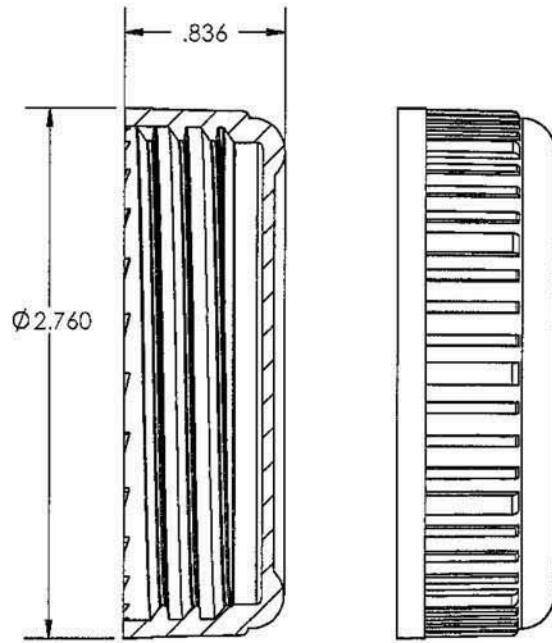
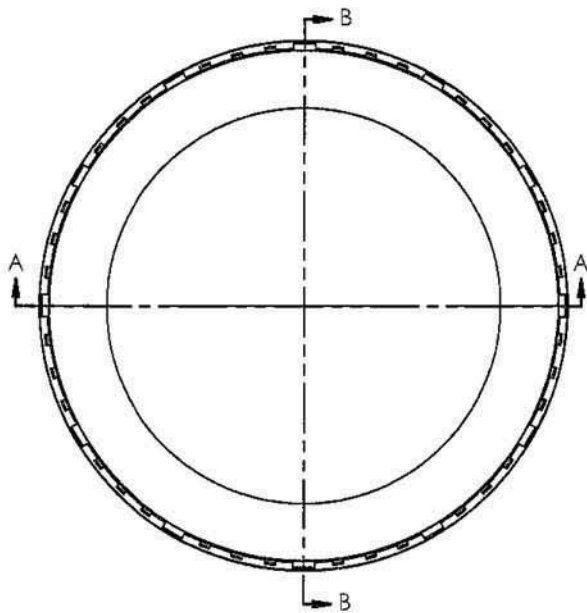


MIX IT. FILL IT. PACK IT. SHIP IT.

WE HAVE A PRODUCT FOR YOU

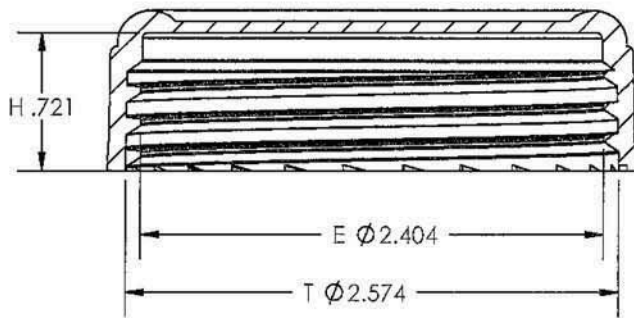


Part #	57W63B
Neck Width	63mm
Neck Finish	63-485
Cap Liner	Polyethylene (PE) Foam Liner
Color	Black
Material	PP
Case Pack	525 ea.
Pallet Pack	18,375 ea. (35 Cases)
Case Weight	22 lbs.
Case Dimensions	22-1/2"L x 15-3/4"D x 10-1/4"H
FDA Approved	Yes
Industries	Food & Beverage, Pharmaceutical

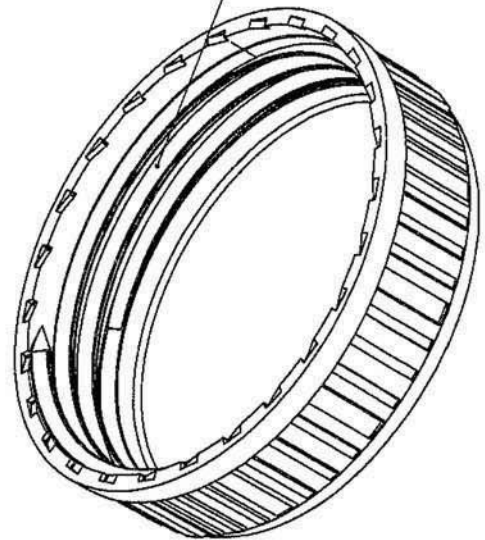


SECTION B-B

6 THREADS PER INCH
.167 LEAD 2 TURNS



SECTION A-A



PROPRIETARY AND CONFIDENTIAL
THE INFORMATION CONTAINED IN THIS DRAWING IS THE SOLE PROPERTY ANY REPRODUCTION IN PART OR AS A WHOLE WITHOUT THE WRITTEN PERMISSION IS PROHIBITED.

		DIMENSIONS ARE IN INCHES TOLERANCES: FRACTIONAL ± ANGULAR: MACH ± BEND ± TWO PLACE DECIMAL ±.015 THREE PLACE DECIMAL ±.008		NAME	DATE
		MATERIAL polypropylene copoly		DRAWN	PRS 4/15/10
		FINISH		CHECKED	
NEXT ASSY	USED ON			ENG APPR.	
APPLICATION		DO NOT SCALE DRAWING		MFG APPR.	
				Q.A.	
				COMMENTS:	

57W63B



Supplied By: **The Cary Company**
Ph: 630-629-6600
www.thecarycompany.com

SIZE	DWG. NO.	REV.
A	63-485 SL L	
SCALE: 1:1	WEIGHT:	SHEET 2 OF 2