

IF YOU...

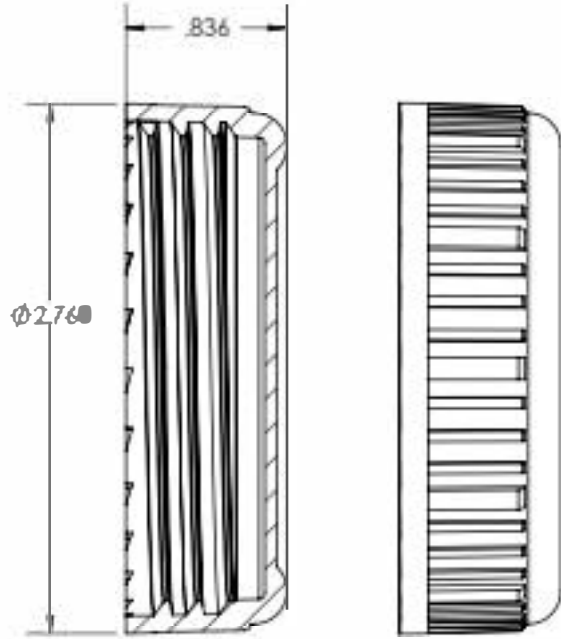
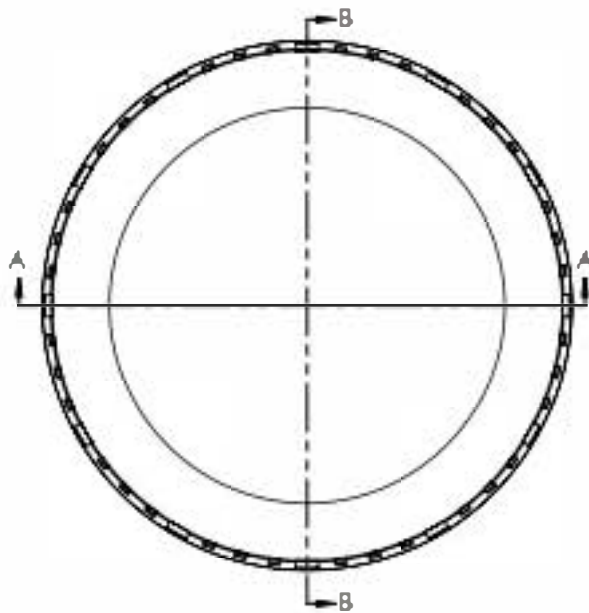


MIX IT. FILL IT. PACK IT. SHIP IT.

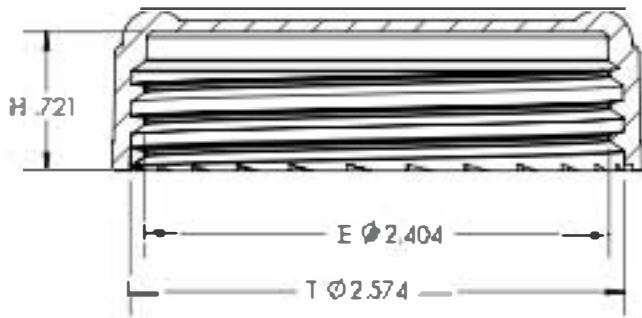
WE HAVE A PRODUCT FOR YOU



Part #	57W63F
Neck Width	63 mm
Neck Finish	63-485
Cap Liner	FoilSeal™ .035" Pulp FSM-1 Heat Induction Foil
Liner Compatability	PE (HDPE, LDPE)
Color	White
Dimensions	2.76" x 0.836" (70.104 x 21.234 mm) - Outside
Case Pack	525 ea.
Pallet Pack	18,375 ea. (35 Cases)
Case Dimensions	15.75" L x 23.50" W x 10.25" H



SECTION B-B



SECTION A-A

6 THREADS PER INCH
.167 LEAD 2 TURNS



Q&A: 63-485 SL L FRACTIONAL: 1/16 DECIMAL: .0625 TWO PLACE DECIMAL: .06 THREE PLACE DECIMAL: .062		NAME: P. R. S. DATE: 4/15/10	63-485 SL
MATERIAL: polypropylene copoly FINISH:		Dwg No: 477 JPC APP	
APPLICATION: DO NOT SCALE DRAWING		COMMENT:	
		SCALE: 1:1 SHEET 2 OF 2	
		JWG NO: 63-485 SL L REV:	