

IF YOU...



MIX IT. FILL IT. PACK IT. SHIP IT.

WE HAVE A **PRODUCT** FOR YOU

Part # 57W63H

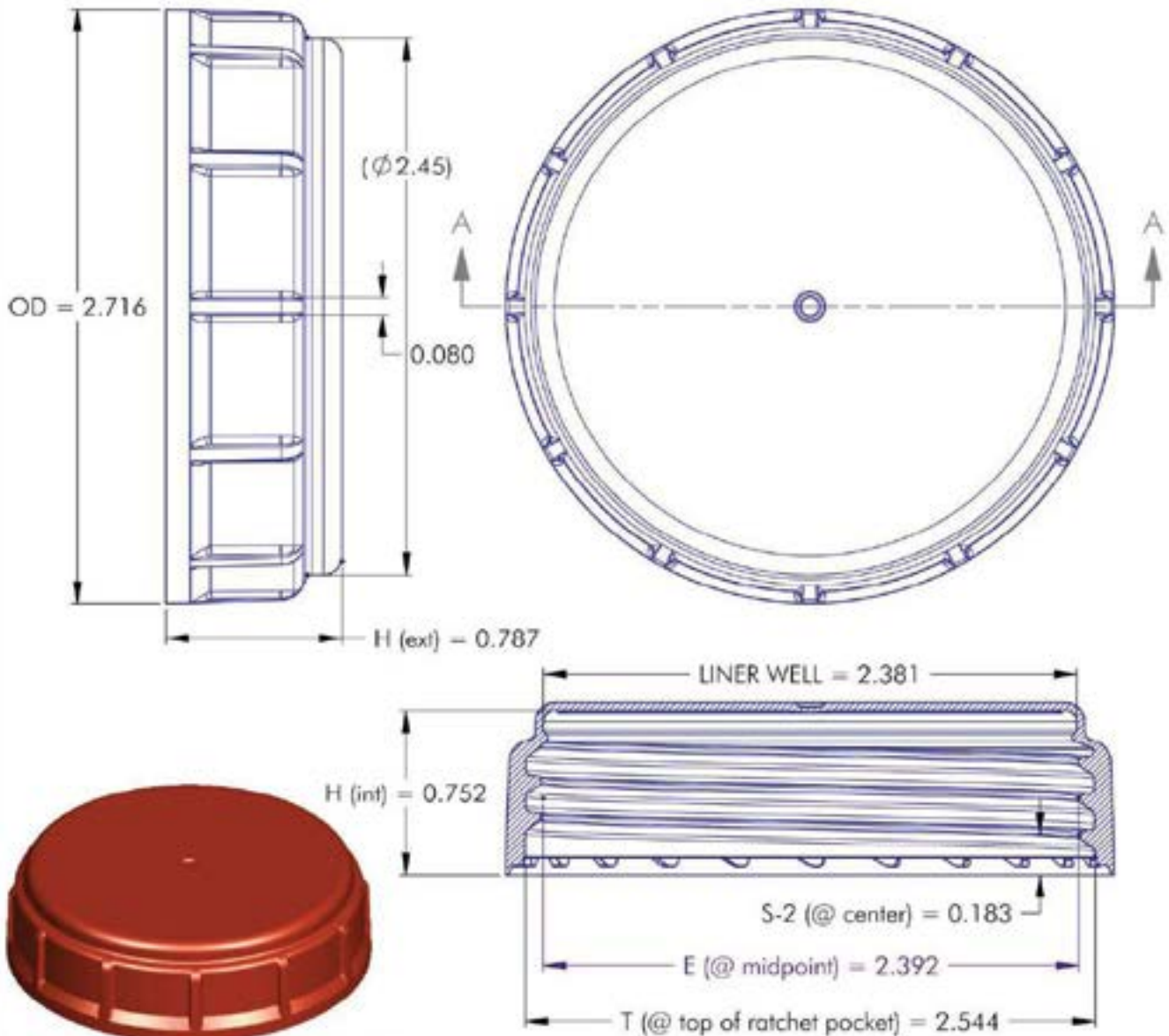
Industrial Caps

63mm 63-445 White Ribbed Plastic Buttress Cap w/HIS for
HDPE



The
CARYCOMPANY
Est. 1895

1195 W. Fullerton Ave. | Addison, IL 60101 | T: 630.629.6600 | F: 630.629.3690 | TheCaryCompany.com



NOTES: (UNLESS OTHERWISE SPECIFIED)

1. ALL DIMENSIONS ARE IN INCHES.
2. TOLERANCE ON ALL DIMENSIONS IS $\pm 0.010^{\circ}$.
3. CONTINUOUS RUN OF THREAD FROM LINER-WELL TO 'S-2' DIMENSION SHOWN AT BOTTOM OF SKIRT. (2 FULL TURNS)

REV	DATE	DESCRIPTION	BY	PTCH (TP): 6	# OF TURNS: NOTE 3	MATERIAL: POLYPROPYLENE
				DRAWING #:	63 - S01 - 9312 (U)	SCALE: 1-1/2 : 1
				DESCRIPTION: BUTTRESS-STYLE CLOSURE / SMOOTH TOP		
				DRAWN BY: DMN	DATE: 08.13.08	APPROVED BY: LRE REV: 2