

IF YOU...

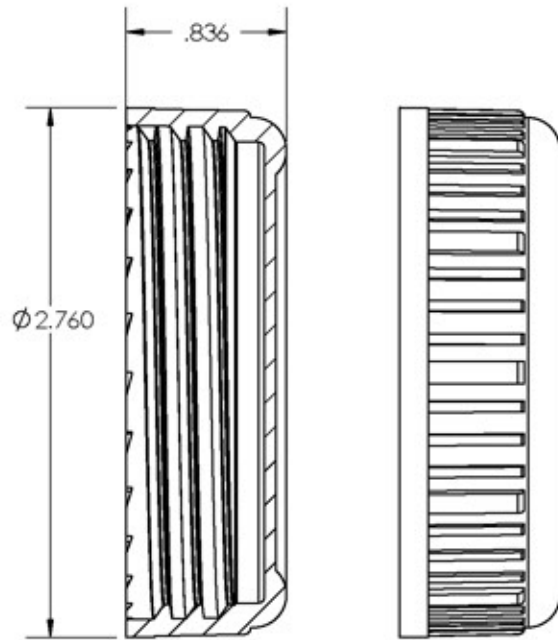
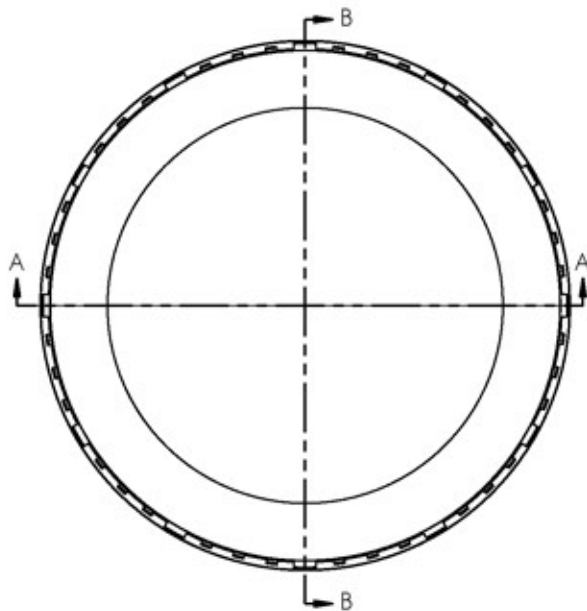


MIX IT. FILL IT. PACK IT. SHIP IT.

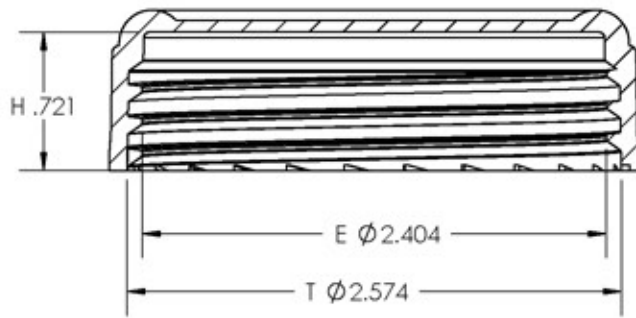
WE HAVE A PRODUCT FOR YOU



Part #	57W63I
Neck Width	63mm
Neck Finish	63-485
Cap Liner	WLP Heat Induction Seal for PE
Liner Compatability	PE (HDPE, LDPE)
Color	Black
Material	PP
Case Pack	525 ea.
Pallet Pack	18,375 ea. (35 Cases)
Case Weight	22 lbs.
Case Dimensions	23-1/2"L x 15-3/4"D x 10-1/4"H
FDA Approved	Yes
Industries	Food & Beverage, Pharmaceutical



SECTION B-B



SECTION A-A

6 THREADS PER INCH
.167 LEAD 2 TURNS



		DIMENSIONS ARE IN INCHES		NAME	DATE	63-485 SL
		TOLERANCES:		DRAWN	PRS 4/15/10	
		FRACTIONAL \pm		CHECKED		
		ANGULAR: MACH \pm BEND \pm		ENG APPR.		
		TWO PLACE DECIMAL $\pm .015$		MFG APPR.		
		THREE PLACE DECIMAL $\pm .008$		Q.A.		
		MATERIAL polypropylene copoly		COMMENTS:		
NEXT ASSY	USED ON	FINISH				
APPLICATION		DO NOT SCALE DRAWING				
				SIZE A	DWG. NO.	REV.
				SCALE:1:1	WEIGHT:	SHEET 2 OF 2