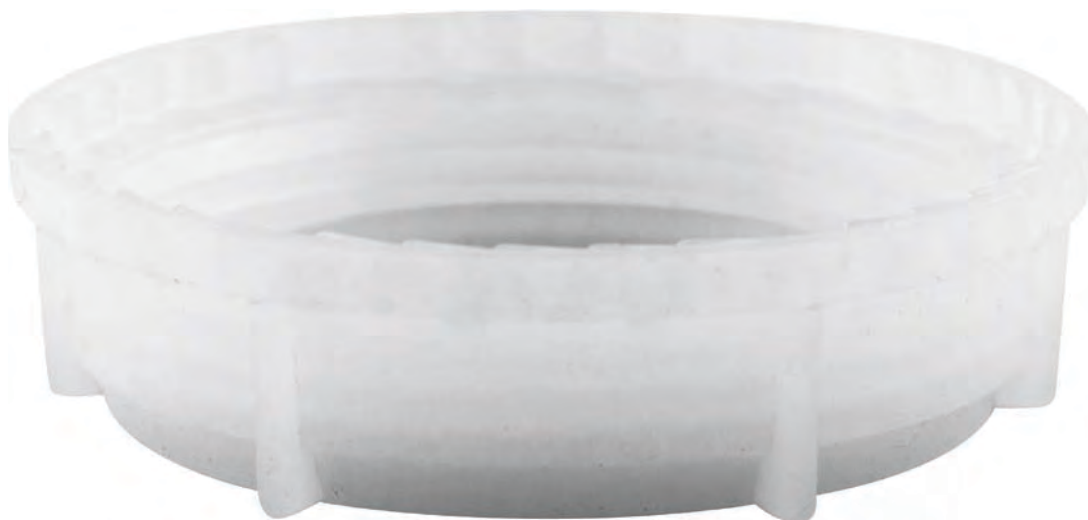


Part#: 57WCAV



FS-80T 70MM TE CAP W/ MICROPOROUS TEFLON VENT

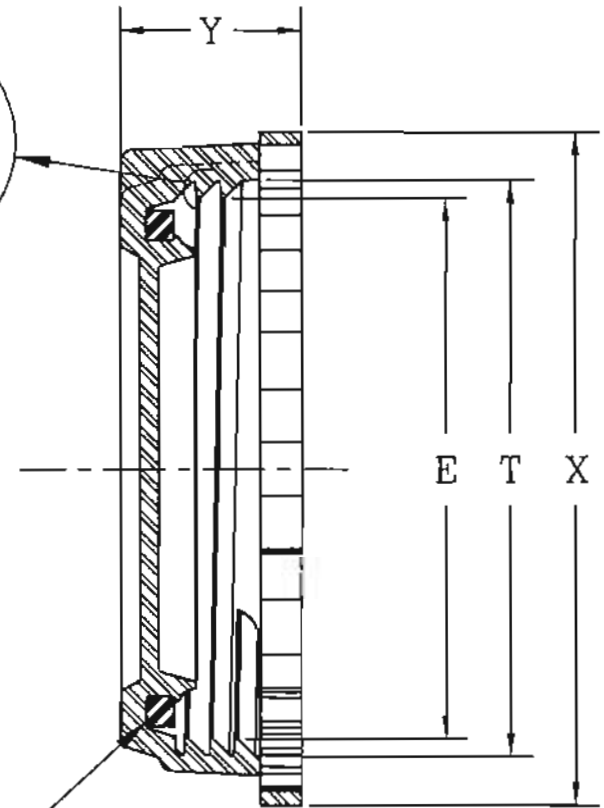
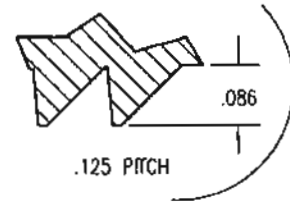
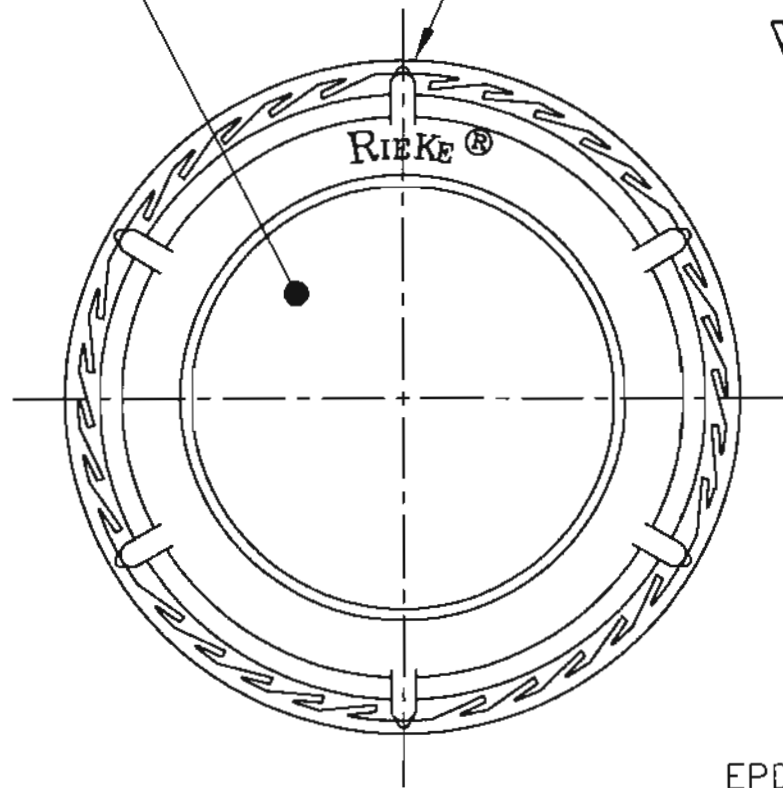


Supplied By: **The Cary Company**  
Ph: 630-629-6600  
[www.thecarycompany.com](http://www.thecarycompany.com)

©

1.75 PRINT DIAMETER

MAT'L - POLYETHYLENE



EPDM GASKET

THREAD SPECIFICATIONS

T	2.767 MIN.
E	2.650 MAX/2.613 MIN.
TPI	8 THREADS PER INCH
X	3.37 MAX. O.D.
Y	.92 MAX. HEIGHT

NOTE: MATERIALS USED MEET FDA REQUIREMENTS

NOTE: THIS IS NOT A SHOP DRAWING

BREAK ALL SHARP EDGES WITH 1/64" RADIUS, UNLESS OTHERWISE SPECIFIED

DATE  
3/2/94

DRAWN BY  
T.M. RIEKE



Supplied By: The Cary Company  
Ph: 630-629-6600  
www.thecarycompany.com

THE FOLLOWING TOLERANCES APPLY UNLESS OTHERWISE SPECIFIED:

ANGLES	±1/4°
HUNDRETH	±.015
THOUSANDTH	±.002

SCALE  
NTS

CHECKED  
GAM

APPROVED

C	1) ADD PRINT DIA NOTE	1-24/02	JLH
B	ADDED DIMENSIONS X & Y	11-4-96	SAF
A	ADDED THREAD INFO.	10-24-94	GAM
CHANGE NUMBER	CHANGE	DATE	BY

DETAIL NAME TAMPER-EVIDENT FS-80 SCREW CAP

TOOL ASSY. NAME

PRODUCT

TOOL ASS'Y NUMBER

DRAWING NUMBER

28000450

FOR

DETAIL NUMBER

MATERIAL

TEMPER

FS-80-T