

IF YOU...

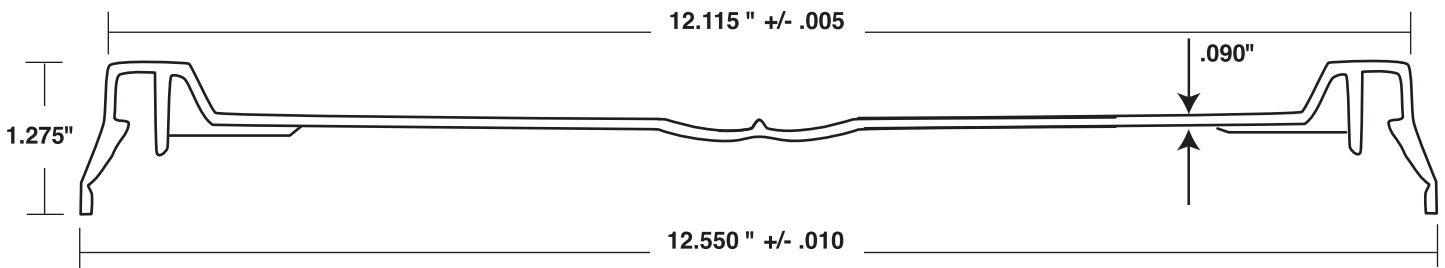
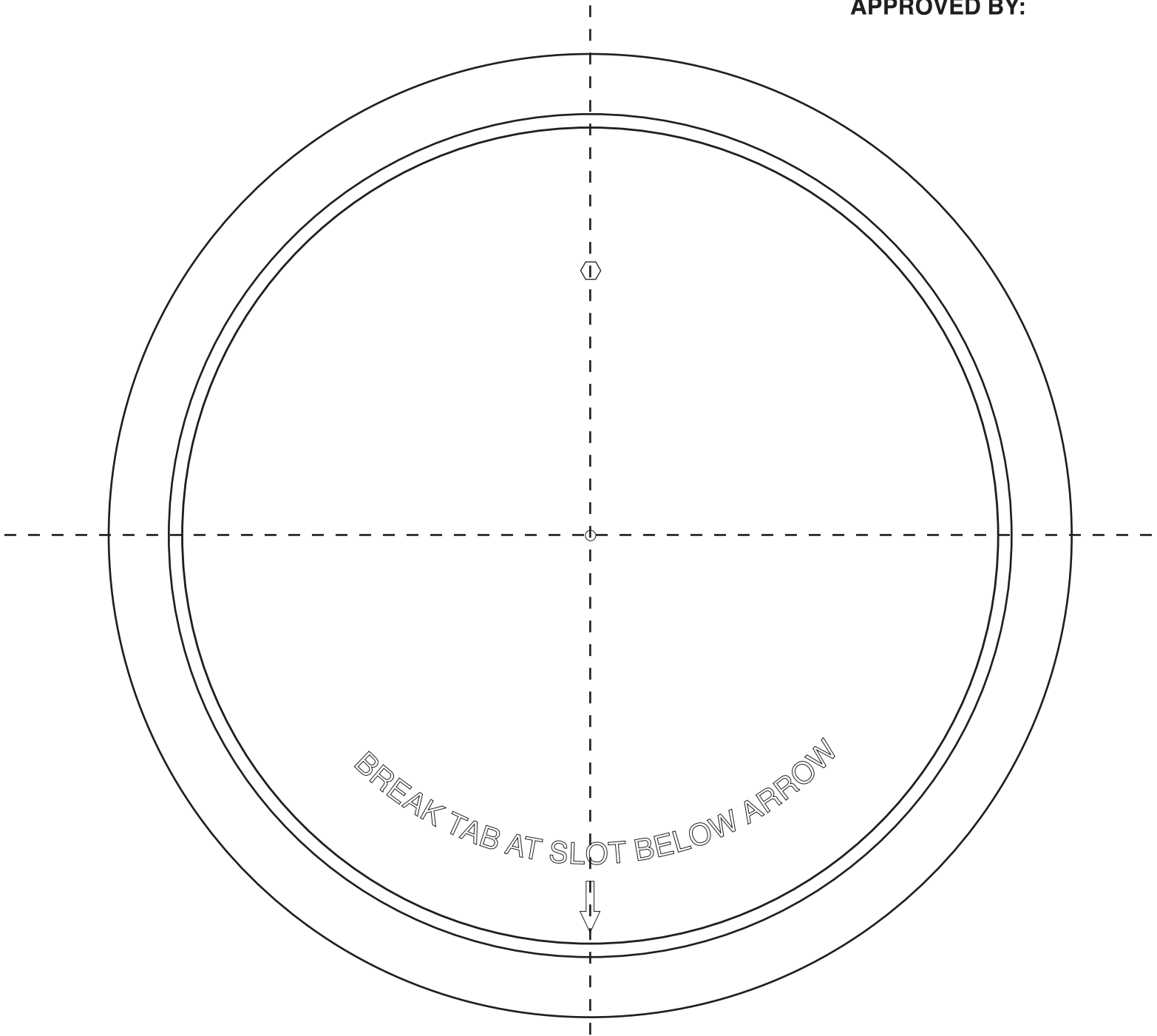


MIX IT. FILL IT. PACK IT. SHIP IT.

WE HAVE A PRODUCT FOR YOU



Part #	57WCBJ
Pail Lid Options	Rieke Flexspout
Gasket	Gasket
Fits	3.5 gal., 5 gal., 6 gal.,
Color	Black
Material	HDPE
Dimensions	12.115" Dia. x 1.275"H
Case Pack	168 ea.
Pallet Pack	1,008 ea. (6 Cases)
FDA Approved	Yes
Note	*This pail lid will fit plastic regrind pails





Supplied By: **The Cary Company**
 Ph: 630-629-6600
 www.thecarycompany.com

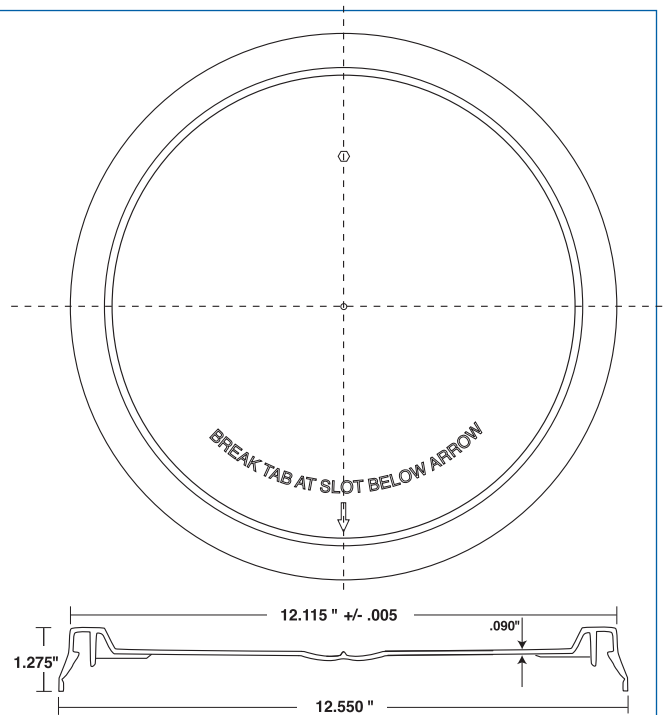
Engineering Specification

CAVITY 79 PART NUMBER: 57WCBJ , 57WCBS

Long Skirt Tear-Tab Lid with Gasket

SPECIFICATIONS

Top Outer Diameter: 12.115" +/- .005"
 Top Out of Round: 1/8" max
 Height: 1.275"
 Wall Thickness: .090"
 Weight: 295 grams



COMPONENTS

Resin: Prime High Density Polyethylene (HDPE)
 Color: Per customer spec
 Gasket: PVC or EPDM

PRINT SPECIFICATIONS

N/A

STANDARD PACKAGING

168 per pack (12 stacks of 14 each).
 Trays on top and bottom with stretch wrap.
 Applied label shows Part Number and Color, Date,
 Packaging Quantity, Shift.
 Package Dimensions: 37 1/2" x 50" x 12"
 Weight: 115 lbs. Bulk Density: 5.04 lbs./cubic ft.

OPTIONS

FDA 21 CFR 177.1520(c)3.2(a)
 European Union 2002/72 EC

CORRESPONDING PAILS

Part #	Description
	3.5 Gallon Pail
	3.9 Gallon Pail
	Short 5 Gallon Pail
	5 Gallon 70 mil Pail
	5 Gallon Standard Pail
	5 Gallon Pail
	6 Gallon Pail
	20 Liter Pail

LID OPTIONS

Rieke Spout
 Rieke Jr.
 Tint Plug