

IF YOU...



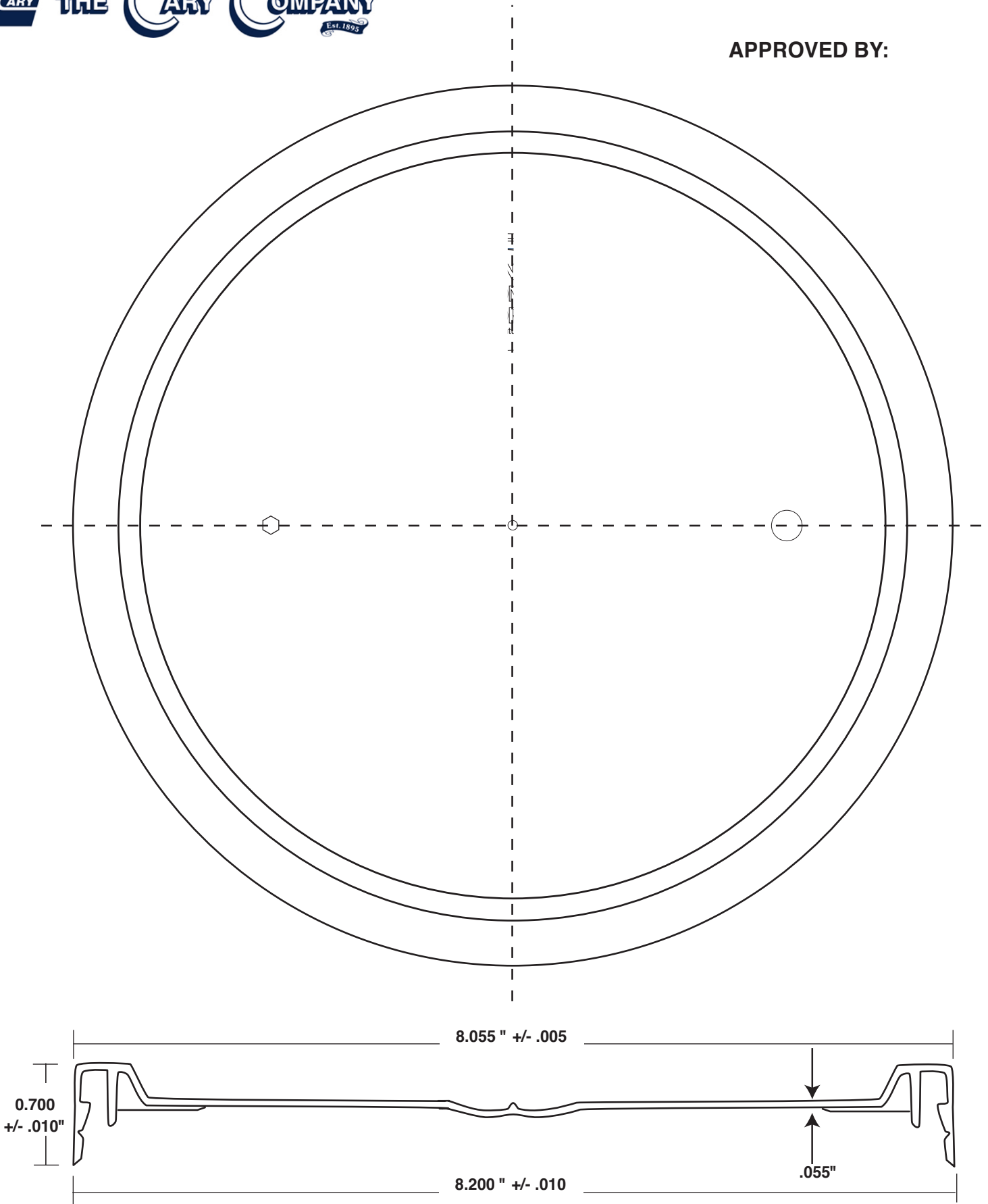
MIX IT. FILL IT. PACK IT. SHIP IT.

WE HAVE A PRODUCT FOR YOU



Part #	57WCLG
Pail Lid Options	Standard
Wall Thickness	55 mil.
Gasket	No Gasket
Fits	1 gal.
Color	Black
Material	HDPE
Dimensions	8.055" Dia. x 7"H
Case Pack	210 ea.
Pallet Pack	3,780 ea. (18 Cases)
FDA Approved	Yes

APPROVED BY:

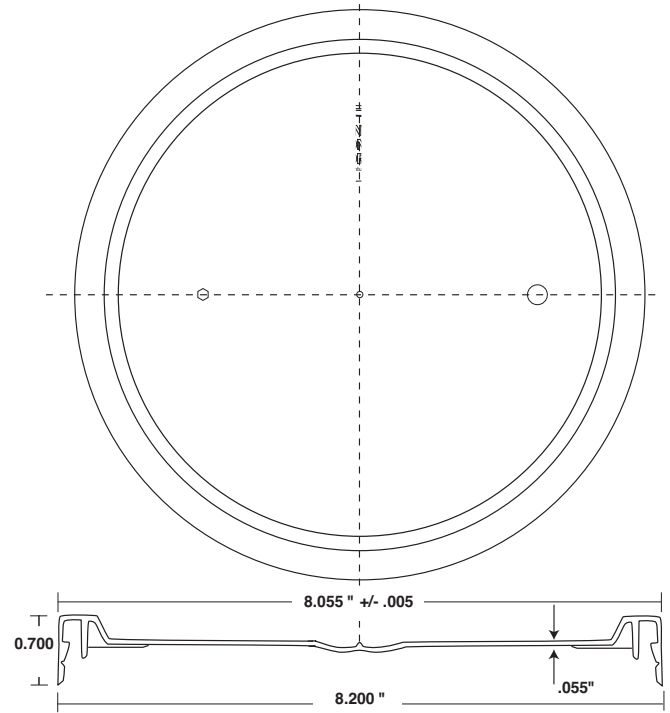


Engineering Specification

Tear-Tab Gasketless Lid

SPECIFICATIONS

Top Outer Diameter: 8.055"
 Top Out of Round: 1/8" max
 Height: .700"
 Wall Thickness: .055"
 Weight: 100 grams



COMPONENTS

Resin: Prime Medium Density Polyethylene
 Color: Per customer spec

PRINT SPECIFICATIONS

N/A

STANDARD PACKAGING

210 per box.
 Applied label shows Part Number and Color, Date, Packaging Quantity, Shift.
 Package Dimensions: 25" x 13" x 16 1/2"
 Weight: 46 lbs. Bulk Density: 14.8 lbs./cubic ft.

OPTIONS

FDA 21 CFR 177.1520(c)3.2(a)
 European Union 2002/72 EC

CORRESPONDING PAILS

Part #	Description
201102	One Gallon Standard Pail

LID OPTIONS

N/A