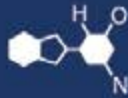


# IF YOU...



MIX IT. FILL IT. PACK IT. SHIP IT.

# WE HAVE A **PRODUCT** FOR YOU

Part #: 57WCTF

---

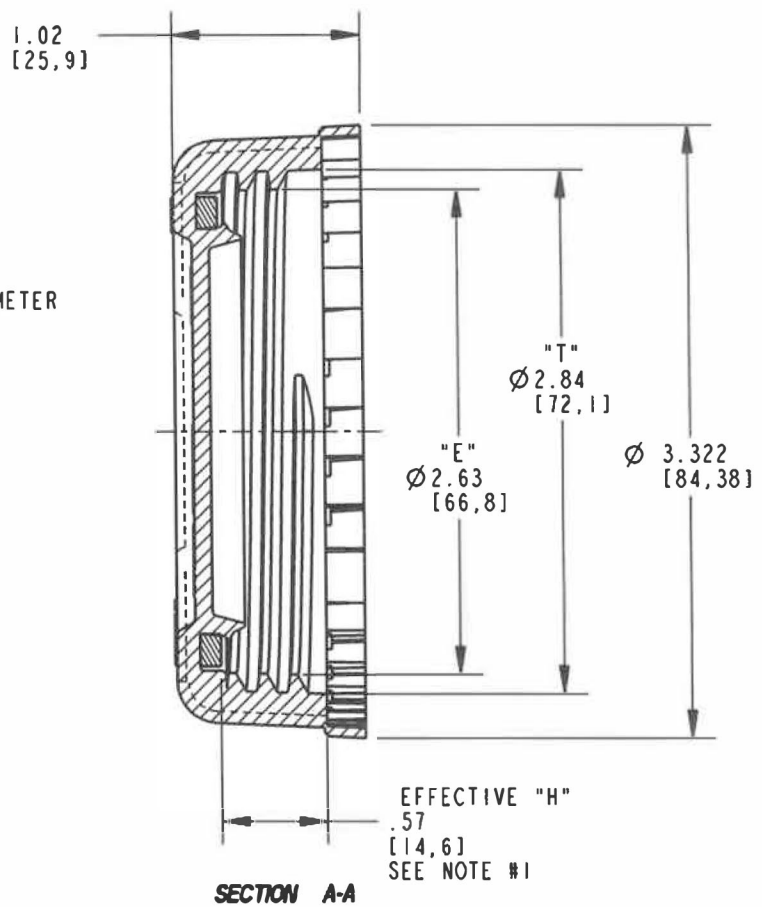
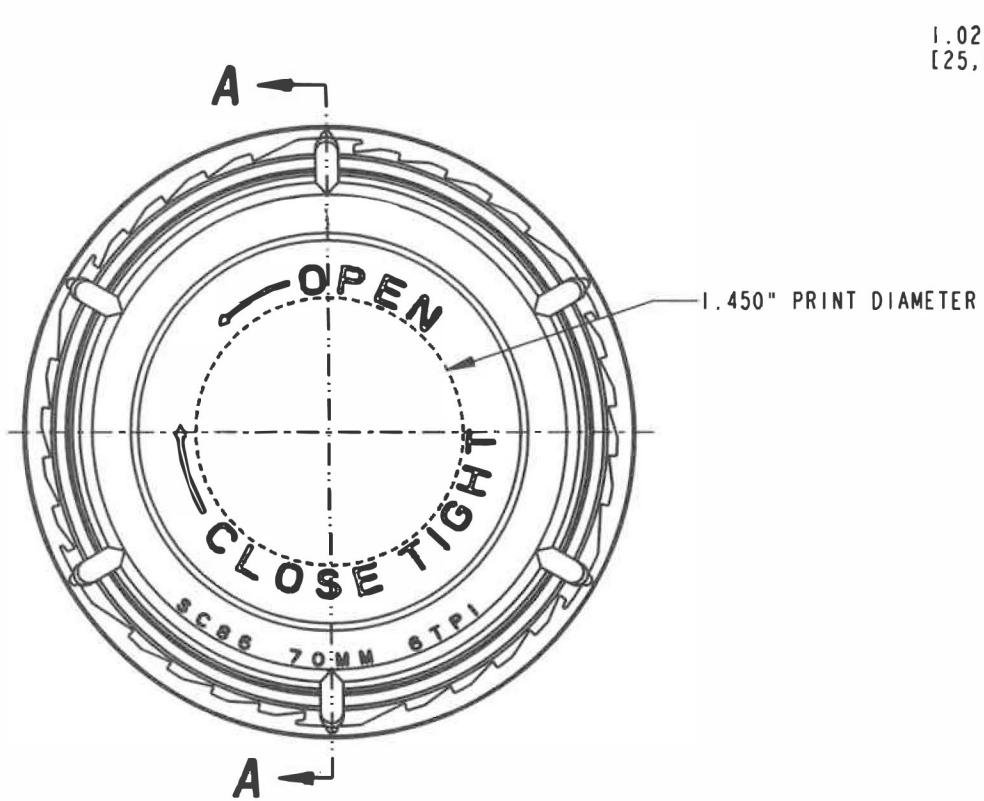
---



---

The  
**CARY**COMPANY  
Est. 1895

1195 W. Fullerton Ave. | Addison, IL 60101 | T: 630.629.6600 | F: 630.629.3690 |



- NOTES:
- 1) EFFECTIVE "H" IS ESTABLISHED BY SUBTRACTING GASKET THICKNESS FROM OVERALL "H"
  - 2) MATERIALS USED MEET FDA REQUIREMENTS
  - 3) 6TPI, .167 PITCH

SECTION A-A

PRO/E

**CUSTOMER DRAWING**

BREAK ALL SHARP EDGES WITH 1/64" RADIUS, UNLESS OTHERWISE SPECIFIED		DATE 22-JAN-03	DRAWN BY VLV				57WCTF			
THE FOLLOWING TOLERANCES APPLY UNLESS OTHERWISE SPECIFIED:							TITLE CLOSURE, 70mm, 6TPI BUTTRESS, TAMPER EVIDENT			
ANGLES	± 1/4°	SCALE 1.0	CHECKED RDR	A	ADDED PRINT DIAMETER	8-11-04	SES	PRODUCT SC86-TE	DRAWING NUMBER 28001932	DETAIL NUMBER SC86-TE
HUNDREDTH	± .02 [0.50]			CHANGE NUMBER	CHANGE	DATE	BY			
THOUSANDTH	± .010 [0.25]	APPROVED			The <b>CARY COMPANY</b> Est. 1895			MATERIAL TEMPER		