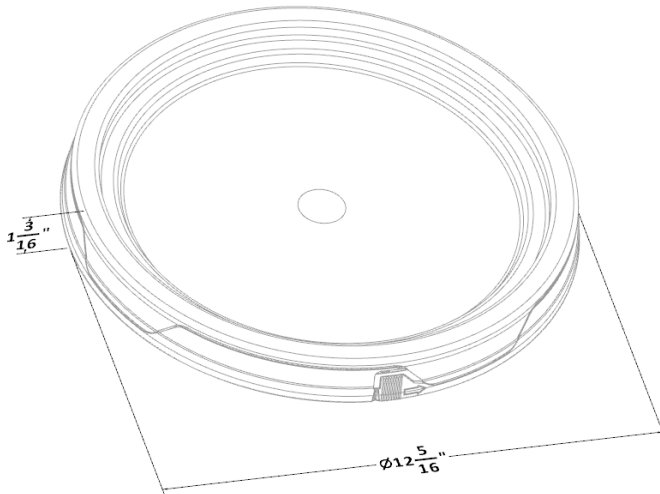


# NO GASKET TEAR STRIP



**SPECIFICATIONS:**

Outer Diameter.....	12.313"
Height.....	1.188"
Thickness.....	60 mil
Packaged.....	80 lids per box

**User Guidelines:** End users must ultimately make their own determination as to the suitability or compatibility of our products for his or her intended use and compliance status of the final product before using. Tests including but not limited to expected fill volume, hot fill compatibility, individual stacking procedures and compatibility with end user production equipment should be completed and verified by end user prior to purchase. This is general sales information only. Measurements are all approximates, sizes and dimensions contained in the specifications may vary. The Cary Company reserves the right to make modifications to any specifications without notice.

**Made from FDA  
 Approved, 100%  
 Prime Virgin HDPE**

**Easy on & Easy off  
 Re-Usable Lid**

**No Gasket**

**Tear Strip for  
 Tamper Evidence**

**Fits all PolyPail  
 4.25 & 5-Gallon  
 Pails**