

IF YOU...



MIX IT. FILL IT. PACK IT. SHIP IT.

WE HAVE A **PRODUCT** FOR YOU

Part #57WESY

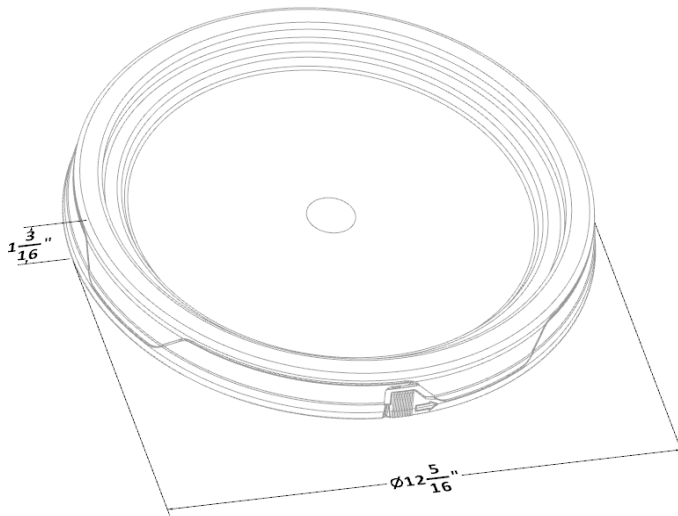
Tear Strip Pail Lids

**5 Gallon Black Easy On Tear Strip Plastic Pail Lid,
No Gasket (P4 Series)**



The
CARYCOMPANY
Est. 1895

1195 W. Fullerton Ave. | Addison, IL 60101 | T: 630.629.6600 | F: 630.629.3690 | TheCaryCompany.com



SPECIFICATIONS:

Outer Diameter.....	12.313"
Height.....	1.188"
Thickness.....	60 mil
Packaged.....	80 lids per box

User Guidelines: End users must ultimately make their own determination as to the suitability or compatibility of our products for his or her intended use and compliance status of the final product before using. Tests including but not limited to expected fill volume, hot fill compatibility, individual stacking procedures and compatibility with end user production equipment should be completed and verified by end user prior to purchase. This is general sales information only. Measurements are all approximates, sizes and dimensions contained in the specifications may vary. Cary reserves the right to make modifications to any specifications without notice.

**Made from FDA
Approved, 100%
Prime Virgin HDPE**

**Easy on & Easy off
Re-Usable Lid**

No Gasket

**Tear Strip for
Tamper Evidence**

**Fits:
4.25 & 5-Gallon
Pails**