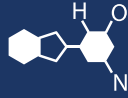


# IF YOU...



MIX IT. FILL IT. PACK IT. SHIP IT.

# WE HAVE A PRODUCT FOR YOU

Part #: 57WH63

---

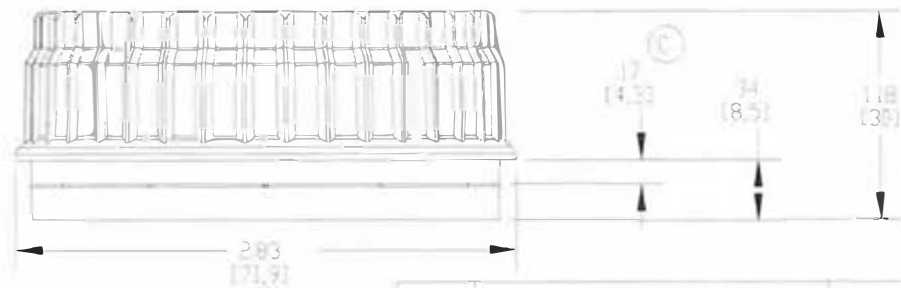
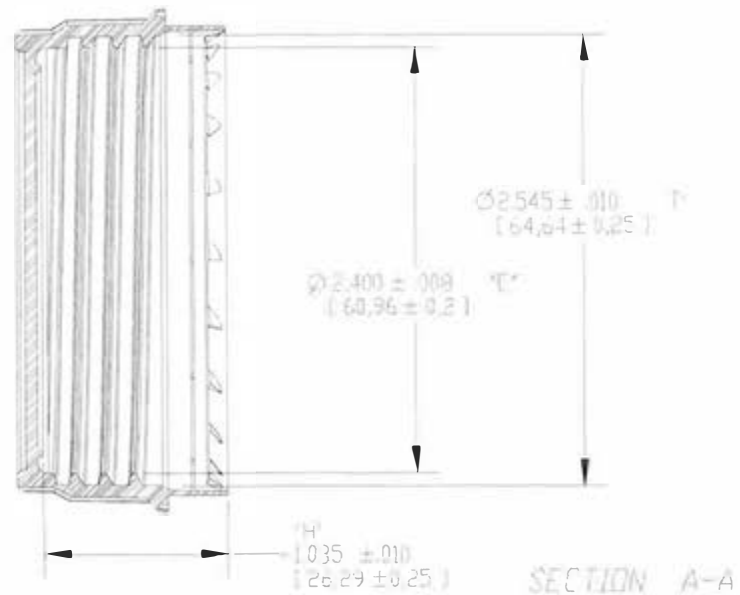
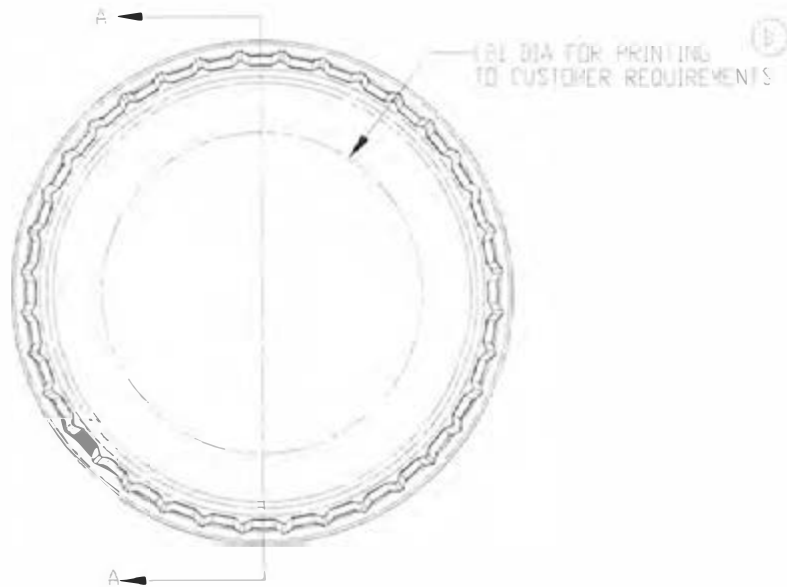
---



---

The  
**CARY**COMPANY  
Est. 1895

1195 W. Fullerton Ave. | Addison, IL 60101 | T: 630.629.6600 | F: 630.629.3690 |



NOTE:  
EFFECTIVE "H" DIMENSION IS DETERMINED BY THE TYPE OF LINER USED IN THE CLOSURE. OVERALL "H" WILL BE LESS THAN SHOWN ONCE THE LINER IS APPLIED. REFER TO DRAWING M078-002-A FOR BOTTLE OPENING DETAILS.

RECOMMENDED TORQUE 50 - 55 IN-LES (A)

BREAK ALL SHARP EDGES WITH 1.64 RADIUS UNLESS OTHERWISE SPECIFIED		DATE	6-DEC-01	DFWVN BY	PDF
THE FOLLOWING TOLERANCES APPLY UNLESS OTHERWISE SPECIFIED		SCALE	NTS	CHECKED	APPROVED
ANGLES	±1.4°				
HUNDRETHS	±.015				
THOUSANDTHS	±.015 IN/IN				

C	W/S (31.4) & easy assembly redesign	03/10/2016	AJL
B	ADDED PRINTING NOTE	21-APR-14	RDR
A	ADDED TORQUE SPECIFICATION / VALUE 50 - 55 IN-LES	22-AUG-92	RDR
CHANGE NUMBER	CHANGE	DATE	BY

<b>The CARY COMPANY</b> <small>EST. 1995</small>			
DETAIL NAME: CC 63mm TAMPER EVIDENT CLOSURE			
TOOL ASS'Y NAME:			
PRODUCT	57NH63	TOOL ASS'Y NUMBER	
DRAWING NUMBER	29001720	DETAIL NUMBER	
FOR	IN		
MATERIAL	POLYPRO	TEMPER	