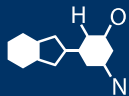


IF YOU...



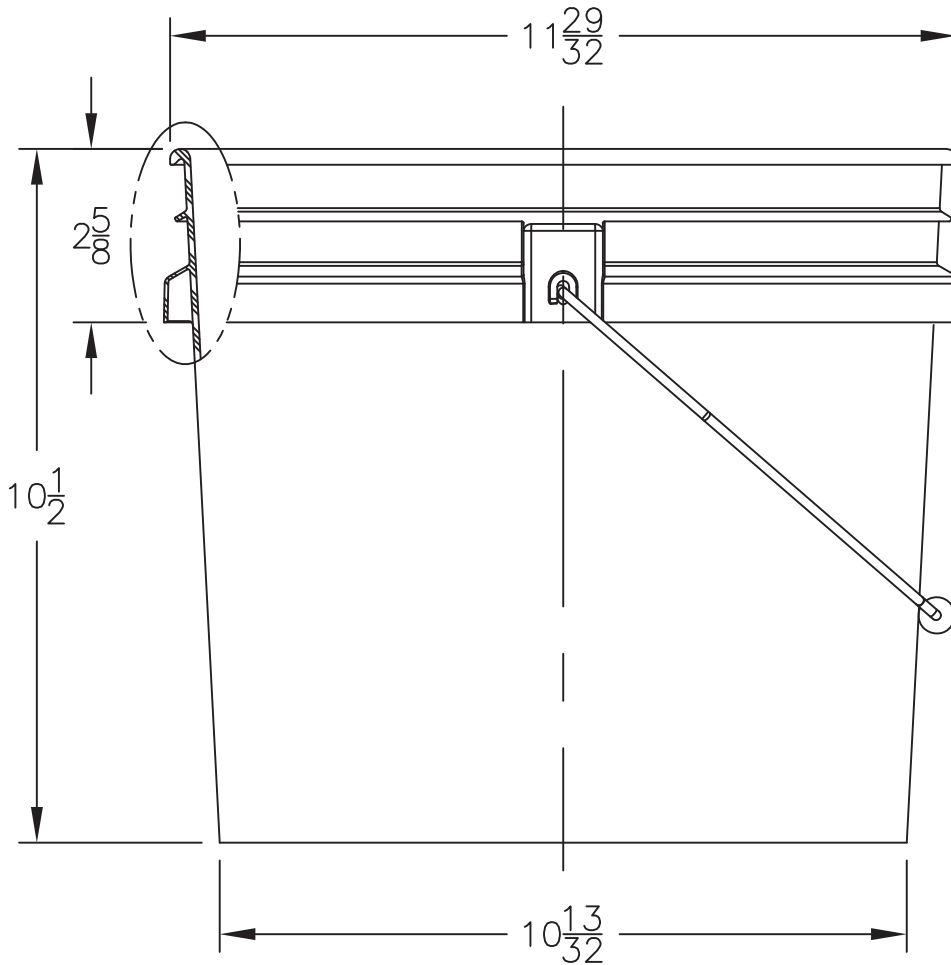
MIX IT. FILL IT. PACK IT. SHIP IT.

WE HAVE A PRODUCT FOR YOU



Part #	57WM3A
Capacity	3.5 gal.
Color	Gray
Material	HDPE
Dimensions	11-29/32" Dia. (top) x 10-13/32" Dia. (bottom) x 10-1/2"
Pallet Pack	168 ea.
UN Rating Liquid	UN1H2/Y1.5/30
Note	*Pail covers sold separately.

REV#	CHANGE	DATE	BY	DATE:	
1	ADDED HANDLE NOTE	1/28/08	BMD	02/03/04	
				SCALE:	NTS
				MATERIAL:	HDPE
				DRAWN BY	BMD
				CHECKED:	
				APPROVED:	
DESCRIPTION: 3.5 GALLON LOW BEAM RING 90 MILL PAIL					DRAWING # P-0035G-090-LBR



NOTES:

WEIGHT:

*-730 GRAMS

WALL THICKNESS:

*-.090"

MATERIAL:

*-PREMIUM HDPE INJECTION RESIN

*-AVAILABLE IN A WIDE RANGE OF COLORS TO MEET CUSTOMER NEEDS

DECORATION:

*MULTIPLE PRINT & LABEL OPTIONS AVAILABLE

HANDLES:

*-WIRE HANDLE WITH PLASTIC GRIP

*-ALL PLASTIC HANDLE AND GRIP



Supplied By: **The Cary Company**

Ph: 630-629-6600

www.thecarycompany.com