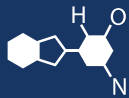


IF YOU...



MIX IT. FILL IT. PACK IT. SHIP IT.

WE HAVE A PRODUCT FOR YOU

Part #: 57WNHJ

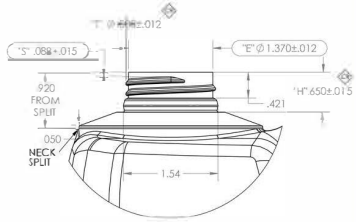
Plastic F-Style Bottles

2.5 Gallon Natural HDPE Plastic F-Style Bottle,
63mm 63-445, 14.36" H



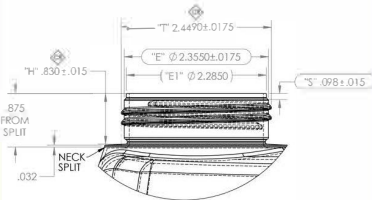
The
CARYCOMPANY
Est. 1895

1195 W. Fullerton Ave. | Addison, IL 60101 | T: 630.629.6600 | F: 630.629.3690 |



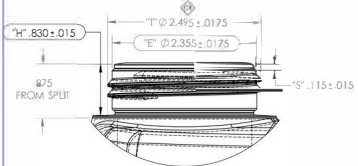
DETAIL A SCALE 1 : 1

38MM NBO REXAM FINISH
6 T.P.I. - 1.5 FULL THREAD TURNS
Non-Block Off
REF REXAM DWG: M6761H



DETAIL B SCALE 1 : 1

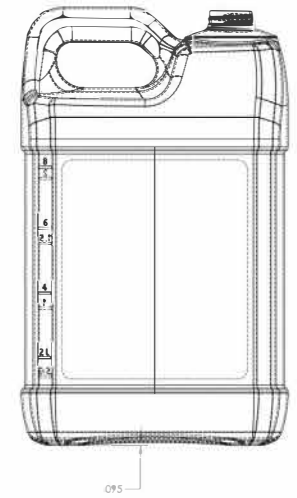
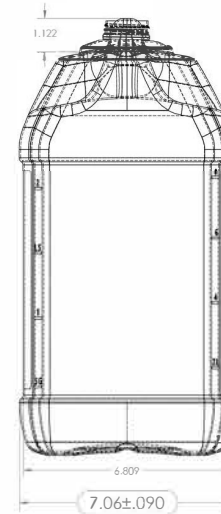
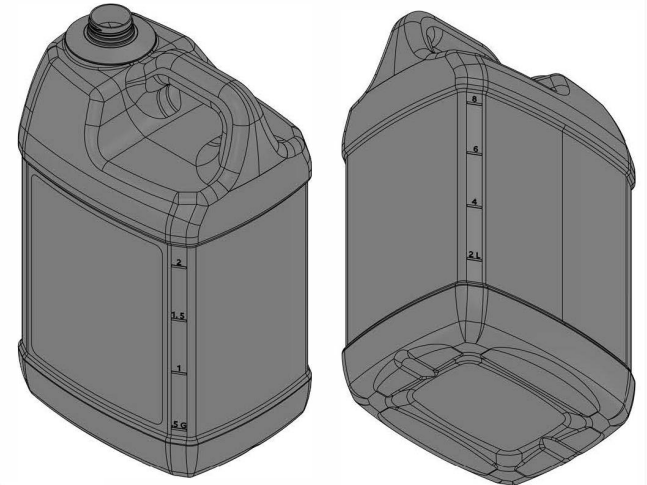
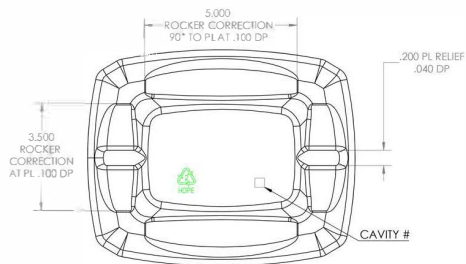
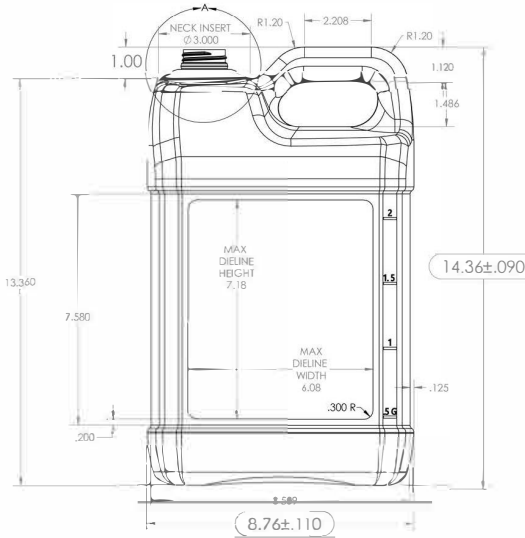
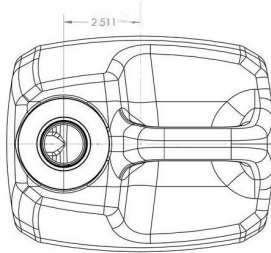
63MM CALIBRATED FINISH
6 T.P.I. - 2.25 FULL THREAD TURNS



DETAIL C SCALE 1 : 1

63MM FLY-CUT FINISH
6 T.P.I. - 2 FULL THREAD TURNS

1. DIMENSIONS OR NOTES MARKED WITH A DENOTE CRITICAL CHARACTERISTICS TO BE MONITORED DURING PRODUCTION.
2. DIMENSIONS OR NOTES MARKED WITH A DENOTE CHARACTERISTICS TO BE MONITORED DURING PRODUCTION QUALIFICATION ONLY.
3. ALL DIAMETER DIMENSIONS MARKED WITH OR SHALL BE DETERMINED BY AVERAGING THE MEASUREMENTS AT PARTING LINE AND 90 DEGREES FROM PARTING LINE.
4. REFERENCE ONLY DIMENSIONS CONTAINED IN []
5. MINIMUM CONTAINER WALL THICKNESS
6. CONTAINER TOP LOAD REQUIREMENT TO BE LBS. MINIMUM AT 1/4" DEFLECTION.
7. MATERIAL HDPE.
8. TARGET WEIGHT 320 - 360 GRAMS.
9. OVERFLOW CAPACITY 355 FL OZ - ICAD EST. DOES NOT INCLUDE BUDGE!
10. MEASUREMENTS TAKEN 24 HOURS AFTER MOLDING.



REV	DATE	BY	DATE	DESCRIPTION
C		ZMF	4/15/02	REVISED FLY-CUT NECK I.H.S DIMENSIONS
B		ZMF	11/17/00	ADDED 63mm FLY-CUT NECK FINISH
A		ZMF	7/10/00	UPDATED 'S' DIMENSION - WAS .072, NOW .088
		LCB	02/26/20	UPDATED NECK FINISH 63MM CALIBRATED
DRAWN BY	DATE	CHECKED BY	DATE	
LCB	01/06/2020			

The **CARY COMPANY**
Est. 1885

TITLE: 2.5 GALLON F-STYLE
PRODUCT DRAWING

DRWG. NO. 276PD

SIZE D SCALE 1:1 SHEET 1 OF 1 REV. C