

IF YOU...



MIX IT. FILL IT. PACK IT. SHIP IT.

WE HAVE A **PRODUCT** FOR YOU

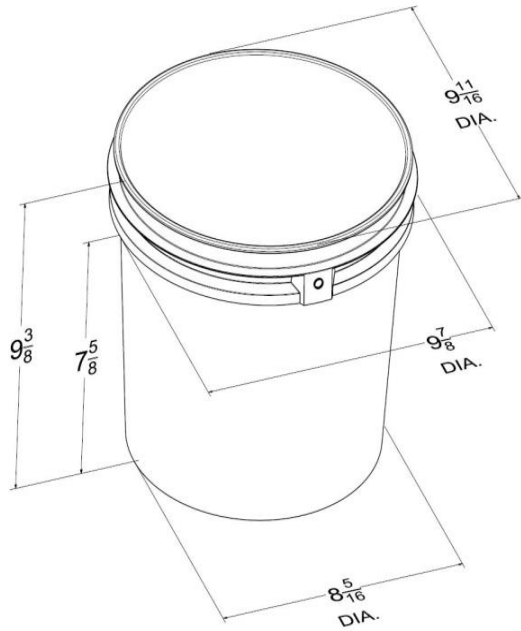
Part #57WP2W

Round Plastic Pails

2 Gallon White Plastic Pail with Plastic Handle (P4 Series)



The
CARYCOMPANY
Est. 1895



SPECIFICATIONS:

Height.....	9.375"
Height with Lid.....	9.500"
Outer Diameter at Top.....	9.688"
Outer Diameter at Top with Lid.....	10.063"
Thickness.....	.65 mil
Volume.....	2.0 USG Nominal Capacity, 2.22 USG Max Capacity0.902 lbs. Pail, 1.214 lbs. Pail with Lid

**Available in
 Bundle Quantities
 of 240 or 360**

**Available with All
 Plastic or Metal
 Handles**

**Tear Strip Lids
 with Gasket**

**Estimated T/L
 Quantity 14,400
 Pails & Lids**