

# IF YOU...



MIX IT. FILL IT. PACK IT. SHIP IT.

# WE HAVE A PRODUCT FOR YOU

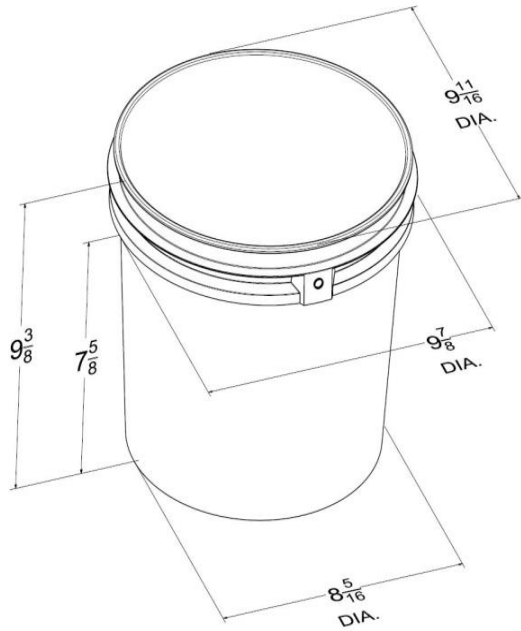
Part #57WP2Y

Round Plastic Pails

## 2 Gallon Yellow Plastic Pail with Metal Handle (P4 Series)



The  
**CARY**COMPANY  
Est. 1895



**SPECIFICATIONS:**

Height.....	9.375"
Height with Lid.....	9.500"
Outer Diameter at Top.....	9.688"
Outer Diameter at Top with Lid.....	10.063"
Thickness.....	.65 mil
Volume.....	2.0 USG Nominal Capacity, 2.22 USG Max Capacity .....0.902 lbs. Pail, 1.214 lbs. Pail with Lid

**Available in  
 Bundle Quantities  
 of 240 or 360**

**Available with All  
 Plastic or Metal  
 Handles**

**Tear Strip Lids  
 with Gasket**

**Estimated T/L  
 Quantity 14,400  
 Pails & Lids**