

IF YOU...



MIX IT. FILL IT. PACK IT. SHIP IT.

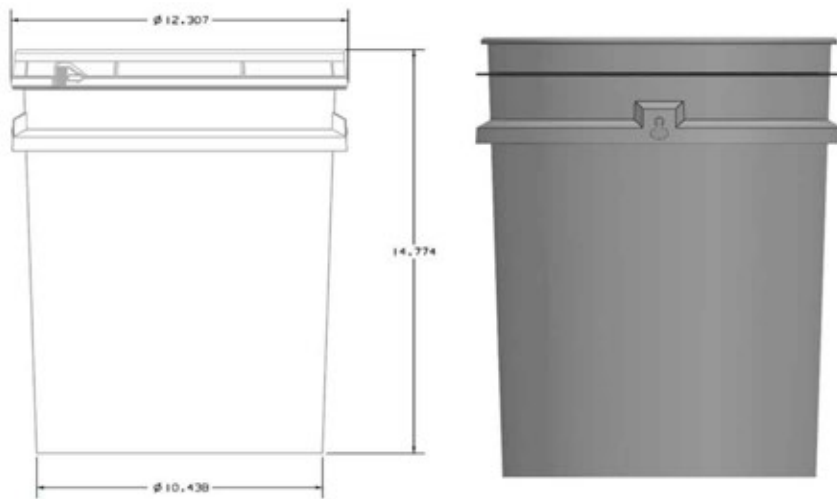
WE HAVE A PRODUCT FOR YOU



Part #	57WP5Y
Capacity	5 gal.
Color	Yellow
Material	HDPE
Min. Wall Thickness	90 mil.
Dimensions	12.307" Dia. (top) x 10.438" Dia. (bottom) x 14.562"H
Nominal Tare Weight	972.50 gm
Unit pack	120 ea. (Nested)
Pallet Pack	240 ea. (Nested)
Shipping	120 per Unit, Nested 240 per Pallet (2 Units) 97" Height, Nested Lids are packed 80 per unit, 1,560 per Pallet. 6,240 per 53' Truckload (Pails * Lids)
FDA Approved	Yes



5 - GALLON PAIL



SPECIFICATIONS:

Height.....	14.562"
Outer Diameter at Top.....	12.307"
Bottom Diameter.....	10.438"
Thickness.....	90 mil
Volume.....	5.422-Gallons with lid, 5.636-Gallons without lid

53' TRUCKLOAD QUANTITIES:

108 pail count bundles.....	5616 pails & lids
120 pail count bundles.....	6240 pails & lids

User Guidelines: End users must ultimately make their own determination as to the suitability or compatibility of our products for his or her intended use and compliance status of the final product before using. Tests including but not limited to expected fill volume, hot fill compatibility, individual stacking procedures and compatibility with end user production equipment should be completed and verified by end user prior to purchase.

This is general sales information only. Measurements are all approximates, sizes and dimensions contained in the specifications may vary.

**Made from FDA
 Approved, 100%
 Prime Virgin HDPE**

**Available with All
 Plastic or Metal
 Handles**

**Stocked in
 bundles of 120**