

# IF YOU...



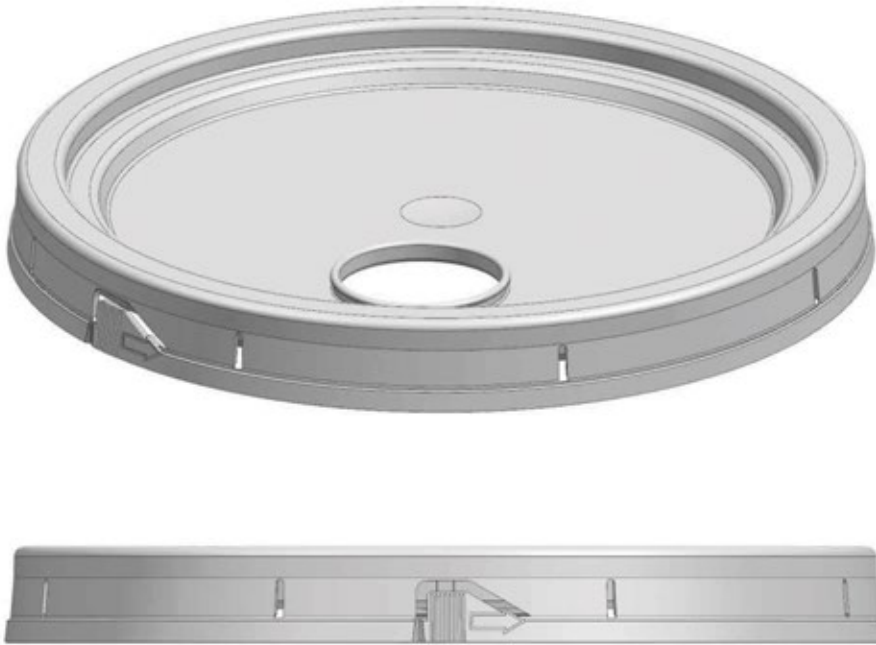
MIX IT. FILL IT. PACK IT. SHIP IT.

# WE HAVE A PRODUCT FOR YOU



|              |                      |
|--------------|----------------------|
| Part #       | 57WPBI               |
| Gasket       | EPDM Rubber Gasket   |
| Capacity     | 5 gal.               |
| Color        | Black                |
| Material     | HDPE                 |
| Dimensions   | 12.307" Dia. x 1.3"H |
| Case Pack    | 80 ea.               |
| Pallet Pack  | 1,560 ea.            |
| FDA Approved | Yes                  |

# 5 Gallon Spout Lid



## SPECIFICATIONS:

|                       |  |
|-----------------------|--|
| Outer Diameter.....   | 12.307"  |
| Height.....           | 1.3"   |
| Thickness.....        | 90 mil   |
| Spouts available..... | Uni-Grip (metal), APC-25 (plastic), APC-25-MV (vented) |
| Gasket.....           | EPDM   |

**User Guidelines:** End users must ultimately make their own determination as to the suitability of compatibility of our products for his or her intended use and compliance status of the final product before using. Tests including but not limited to expected fill volume, hot fill compatibility, individual stacking procedures and compatibility with end user production equipment should be completed and verified by end user prior to purchase.

This is general sales information only. Measurements are all approximate, sizes and dimensions contained in the specification may vary.

**Packed in boxes  
of 80 or trays  
available**

**Colors Available**