

# IF YOU...



MIX IT. FILL IT. PACK IT. SHIP IT.

# WE HAVE A **PRODUCT** FOR YOU

Part #57WPP2

Round Plastic Pails

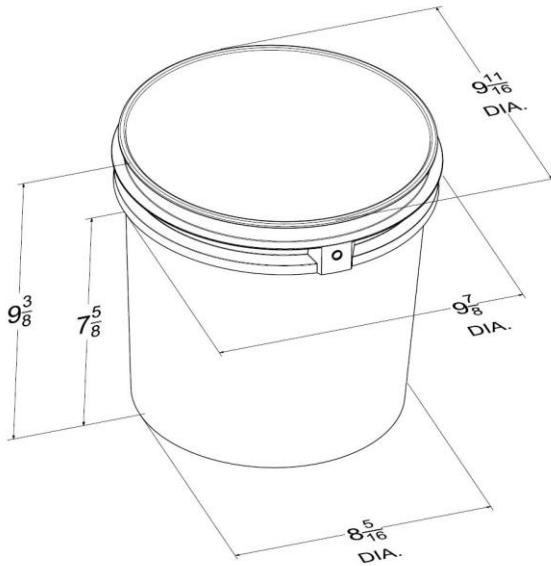
2 Gallon White Plastic Pail  
with Metal Handle (P4 Series)



The  
**CARY**COMPANY  
Est. 1895

1195 W. Fullerton Ave. | Addison, IL 60101 | T: 630.629.6600 | F: 630.629.3690 | [TheCaryCompany.com](http://TheCaryCompany.com)

## 2-GALLON PAIL (PP-2GP)



**SPECIFICATIONS:**

Height.....	9.375"
Height with Lid.....	9.500"
Outer Diameter at Top.....	9.688"
Outer Diameter at Top with Lid.....	10.063"
Thickness.....	65 mil
Volume.....	2.0 USG Nominal Capacity, 2.22 USG Max Capacity
Tare Weight.....	0.814 lbs. Pail, 1.214 lbs. Pail with Lid

**User Guidelines:** End users must ultimately make their own determination as to the suitability or compatibility of our products for his or her intended use and compliance status of the final product before using. Tests including but not limited to expected fill volume, hot fill compatibility, individual stacking procedures and compatibility with end user production equipment should be completed and verified by end user prior to purchase. This is general sales information only. Measurements are all approximates, sizes and dimensions contained in the specifications may vary. The Cary Company. reserves the right to make modifications to any specifications without notice.

**Made from FDA  
 Approved, 100%  
 Prime Virgin HDPE**

**Available in  
 Bundle Quantities  
 of 360**

**Available with All  
 Plastic or Metal  
 Handles**

**Tear Strip Lids  
 with Gasket**

**Estimated T/L  
 Quantity 14,400  
 Pails & Lids**