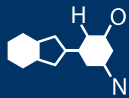


IF YOU...



MIX IT. FILL IT. PACK IT. SHIP IT.

WE HAVE A **PRODUCT** FOR YOU

Part #57WSFW

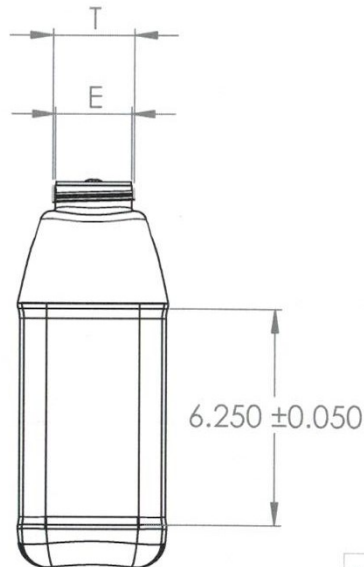
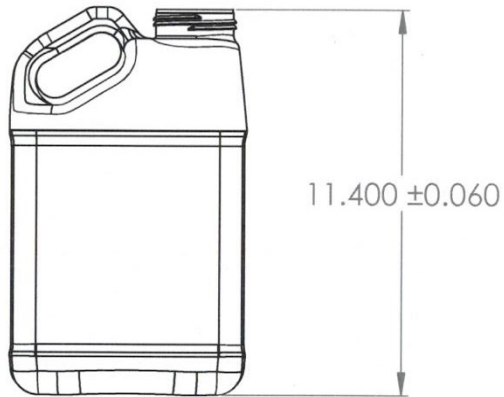
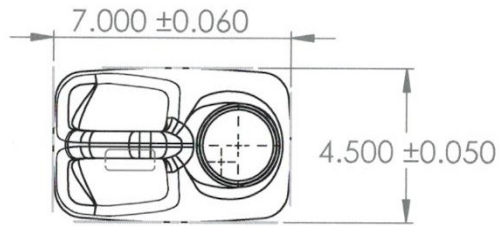
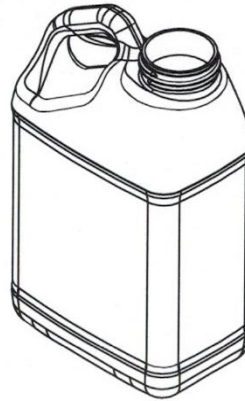
Plastic F-Style Bottles

**1 Gallon White HDPE Plastic Slant F-Style Bottle,
63mm 63-485**



The
CARYCOMPANY
Est. 1895

ONE GALLON BOTTLE SPECIFICATIONS



DESCRIPTION:

1 GALLON BOTTLE

MOLD NO: **125** MATERIAL : HDPE

WEIGHT : 0.365 lbs 165 gr
WEIGHT TOLERANCE : ± 20 gr

NECK DIMENSIONS
Tolerance : \pm Neck Finish : 63 mm

| | | | |
|---------------------------------|---|------|------------------------|
| DIMENSIONS Tolerance : \pm | T | 2.5 | Tolerances ± 0.017 |
| | E | 2.36 | Tolerances ± 0.017 |

| | |
|----------------------|---------------------|
| DRAWN | |
| ENG APPR. | <i>Poz 2-16-20</i> |
| MFG APPR. | <i>Broh 9-16-20</i> |
| Q.C. | <i>Apr 4-16-20</i> |
| CHECKED | |
| DO NOT SCALE DRAWING | |

**ONE GALLON BOTTLE
MOLD 125**

5

4

3

2

1