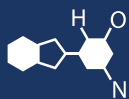


# IF YOU...



MIX IT. FILL IT. PACK IT. SHIP IT.

# WE HAVE A PRODUCT FOR YOU

Part #: 57WT63

---

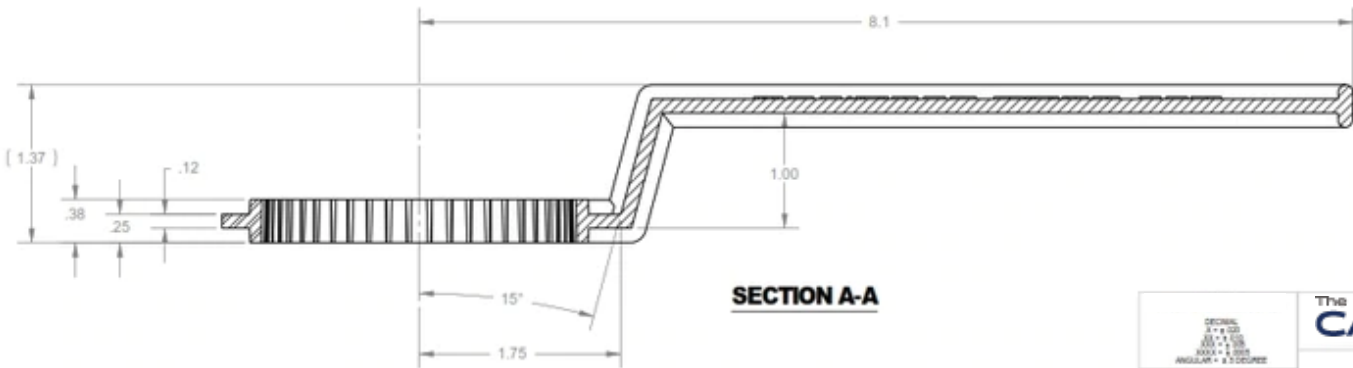
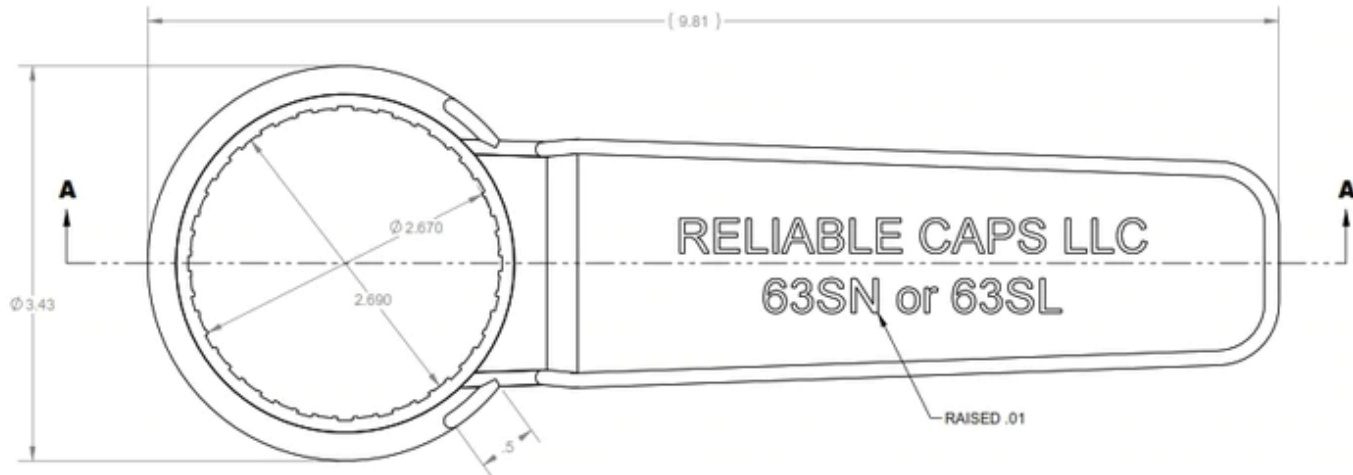
---



---

The  
**CARY**COMPANY  
Est. 1895

1195 W. Fullerton Ave. | Addison, IL 60101 | T: 630.629.6600 | F: 630.629.3690 |



DECIMAL 1/16" = .0625" 1/32" = .03125" 1/64" = .015625" ANGULAR = 1/32 DEGREE		The <b>CARY COMPANY</b> Est. 1895	
MATERIAL	BLACK NYLON	SIZE	DWG. NO. 990019-04
FINISH	-	REV	-
DO NOT SCALE DRAWING	SCALE: 1:1	DRAWN: Jim 6-12-06	SHEET 1 OF 1