

# IF YOU...



MIX IT. FILL IT. PACK IT. SHIP IT.

# WE HAVE A **PRODUCT** FOR YOU

Part #57WW2W

Round Plastic Pails

**2 Gallon White Plastic Pail (70 mil) w/Metal Handle (P7 Series)**



The  
**CARY**COMPANY  
Est. 1895

## Description

- 2-Gallon Pail
- 65 millimeter thickness
- Metal handle available
- Standard Color: White and all colors available
- Pour spouts and gaskets available

## Wall Thickness

	Mil	+/-
• Pail	.068"	+/- .003
• Lids	.070"	+ .005

## Standard Weight

	Grams	+/-
• Pail	355	12
• 400 Series	130	10

## Heat Resistance

• Filling	F	160
-----------	---	-----

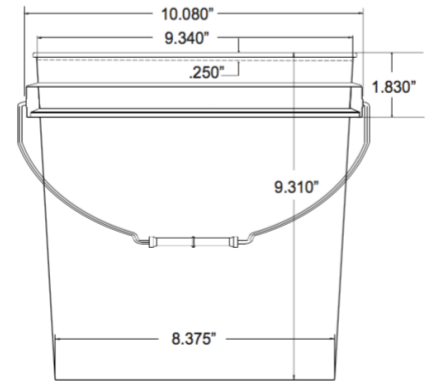
## Top Load limits

- 1800 lbf

## Capacities

Volume	Ounces
Max with Lid	310
Max without lid	302

Head Space at 2 Gal	1.150 in
---------------------	----------



## Nesting

