

# IF YOU...



MIX IT. FILL IT. PACK IT. SHIP IT.

# WE HAVE A **PRODUCT** FOR YOU

Part #57WWHL

HDPE Plastic Bottles

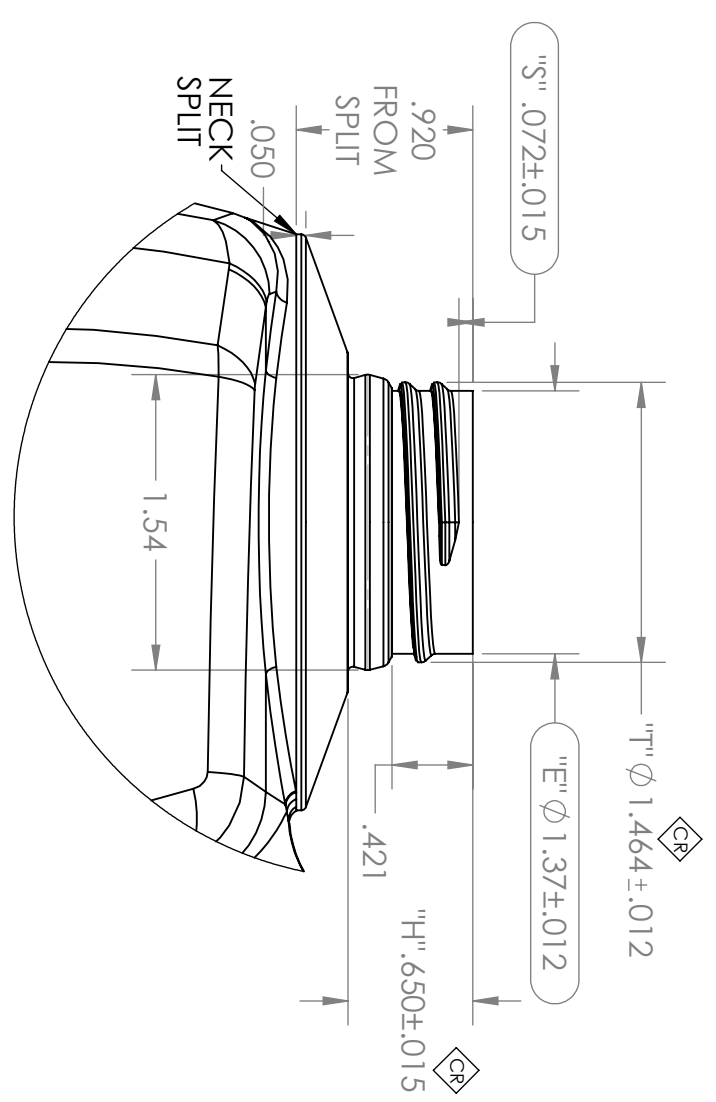
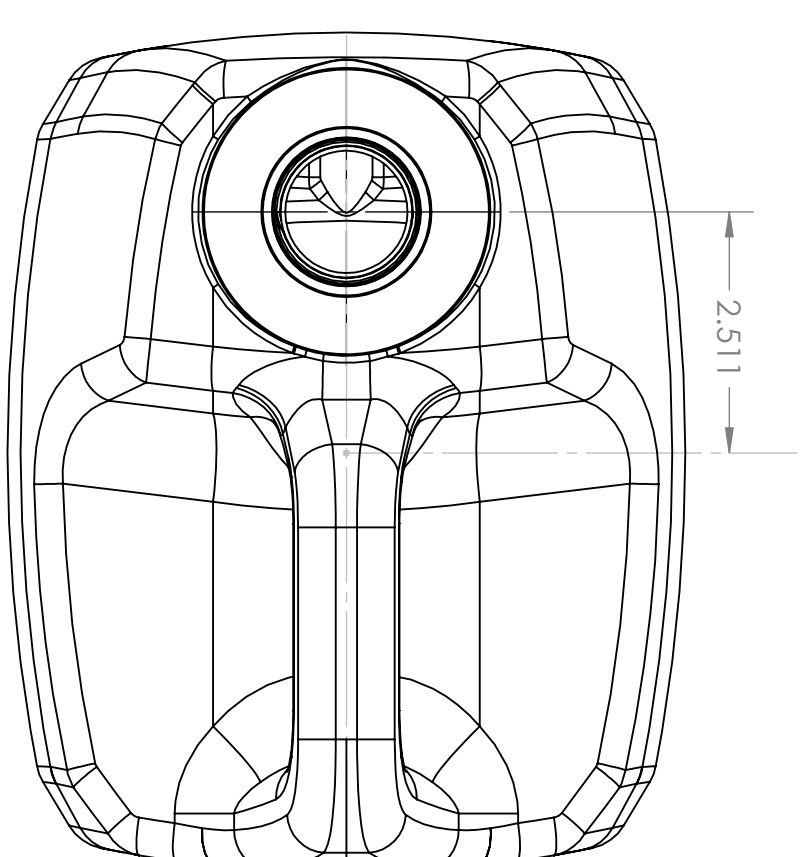
**2.5 Gallon White HDPE Plastic F-Style Bottle, 63mm  
63-445, 340 Grams, 14.36" H**



The  
**CARY**COMPANY  
Est. 1895

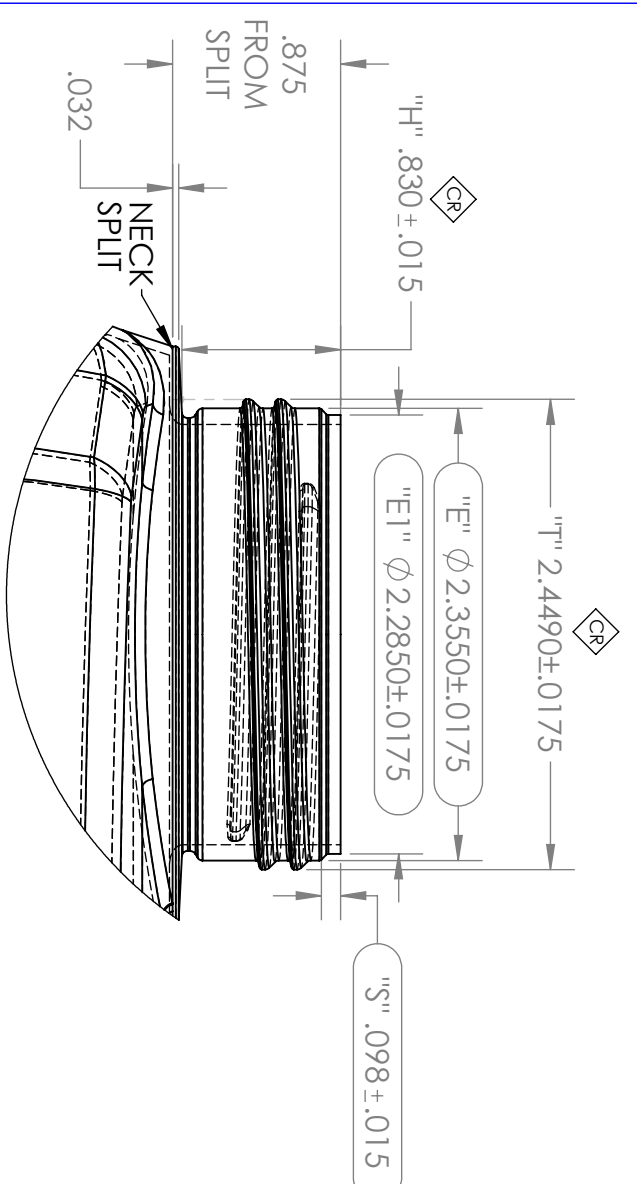
1195 W. Fullerton Ave. | Addison, IL 60101 | T: 630.629.6600 | F: 630.629.3690 | [TheCaryCompany.com](http://TheCaryCompany.com)

**Part # 57WVHL**  
**2.5 Gallon HDPE Plastic**  
**F-Style Bottle, 63mm**  
**63-445**



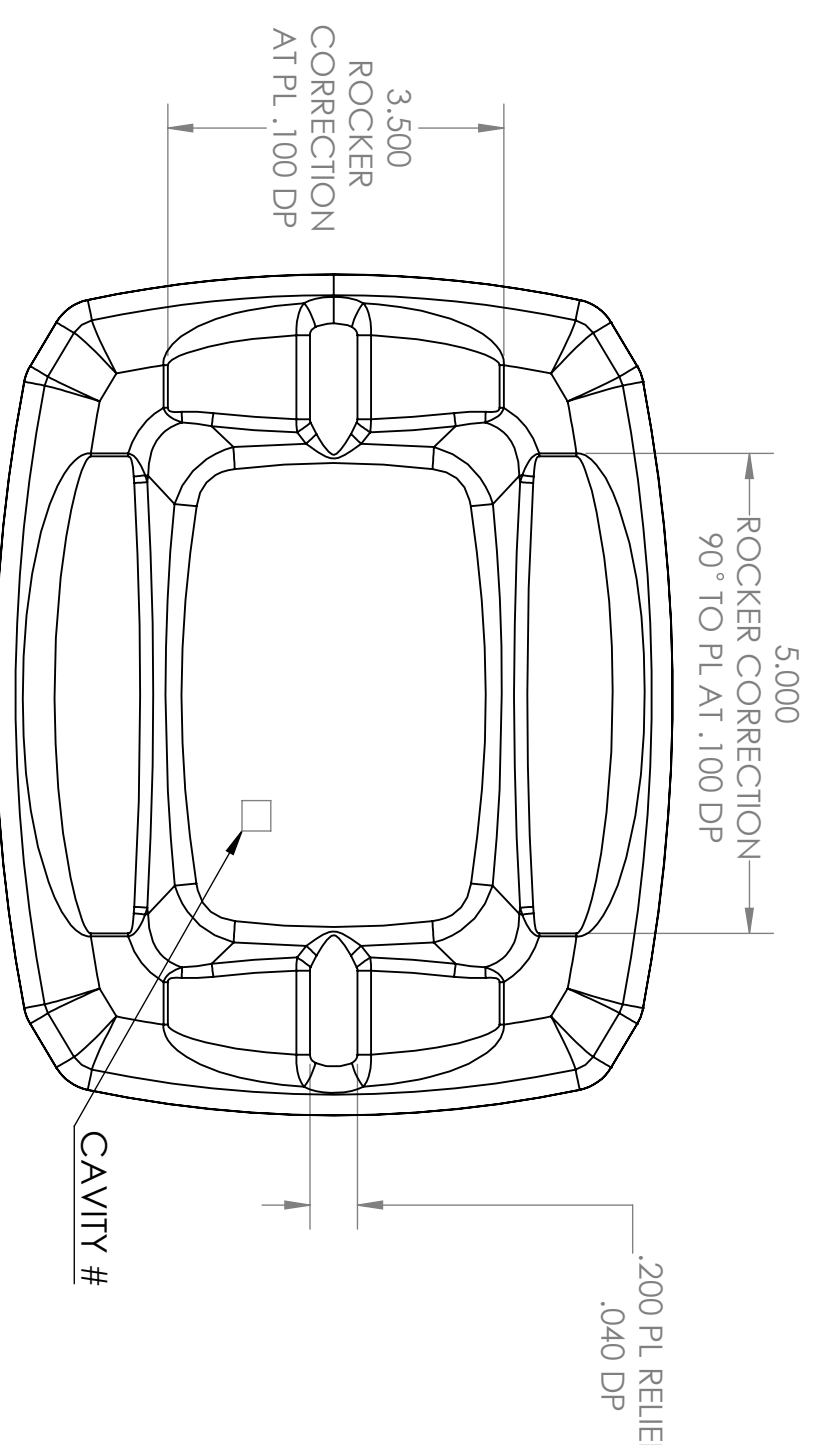
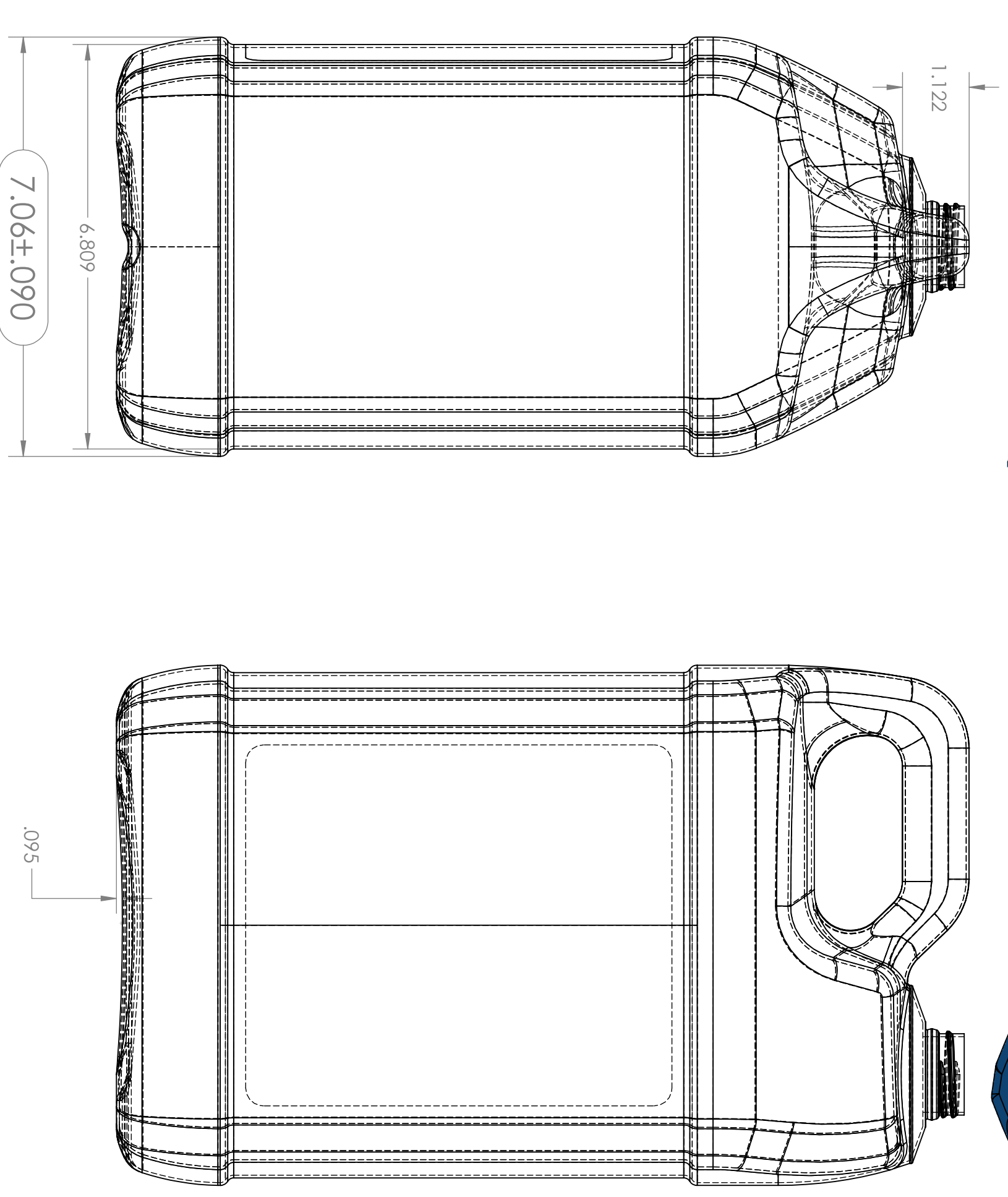
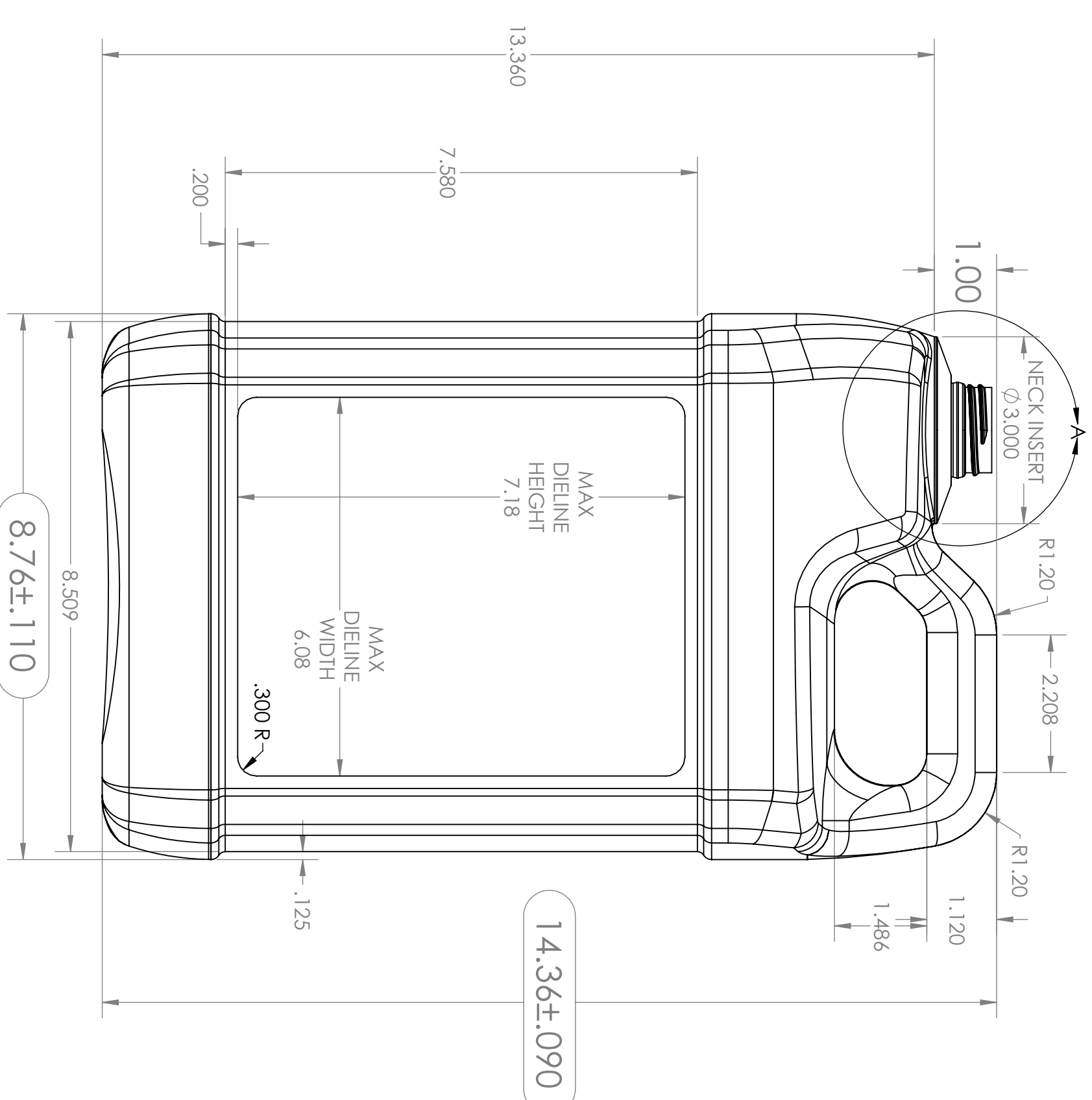
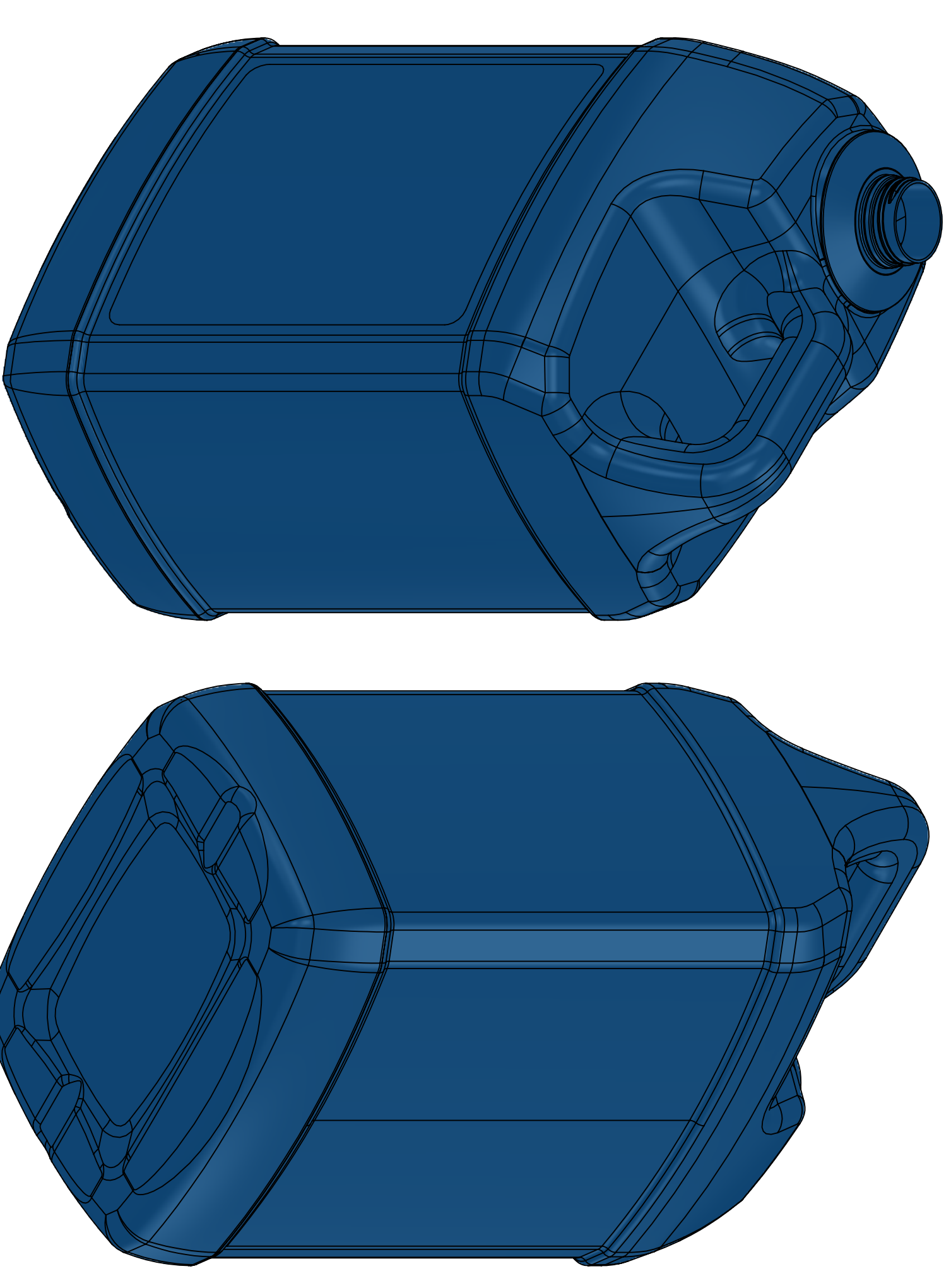
DETAIL A SCALE 1 : 1

**38MM NBO REXAM FINISH**  
 8 T.P.L. - 1.57 FULL THREAD TURNS  
 NBO REXAM FINISH  
 REF REXAM DWG: M46941H



DETAIL A SCALE 1 : 1

**63MM CALIBRATED FINISH**  
 8 T.P.L. - 2.25 FULL THREAD TURNS



1. DIMENSIONS OR NOTES MARKED WITH A DENOTE CRITICAL CHARACTERISTICS TO BE MONITORED DURING PRODUCTION.
2. DIMENSIONS OR NOTES MARKED WITH A DENOTE CHARACTERISTICS TO BE MONITORED DURING PRODUCTION QUANTIFICATION ONLY.
3. ALL DIAMETER DIMENSIONS MARKED WITH OR SHALL BE DETERMINED BY AVERAGING THE MEASUREMENTS TAKING LINE AND 90 DEGREES FROM PARTING LINE
4. REFERENCE ONLY DIMENSIONS CONTAINED IN 1.
5. MINIMUM CONTAINER WALL THICKNESS
6. CONTAINER TOP LOAD REQUIREMENT TO BE LBS. MINIMUM AT 1/4 DEFLECTION.
7. MATERIAL HDPE
8. TARGET WEIGHT 320 - 340 GRAMS.
9. OVERFLOW CAPACITY 355 FL. OZ. - /CAD EST. DOES NOT INCLUDE RIDGE/.
10. MEASUREMENTS TAKEN 24 HOURS AFTER MOLDING.

				LCB		02/26/2020			
UPDATED NECK FINISH 63MM CALIBRATED				LCB		02/26/2020			
REV	DATE	CHECKED BY	DATE	BY	DATE				
DRAWN BY	01/06/2020								
LCB									
TITLE: 2.5 GALLON F-STYLE				DESCRIPTION: PRODUCT DRAWING					
DRAWG. NO. 276PD				SIZE D					
SCALE 1:2				SHEET 1 OF 1 REV.					