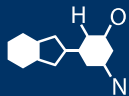
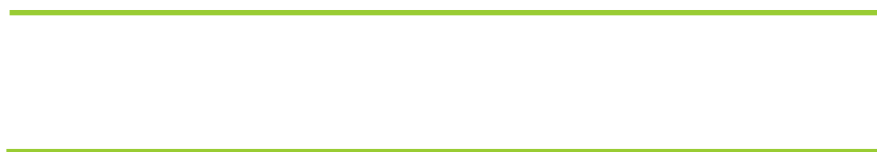


IF YOU...



MIX IT. FILL IT. PACK IT. SHIP IT.

WE HAVE A PRODUCT FOR YOU



Part #	67BWL1
Neck Width	120 mm
Color	White
Material	PP
Case Pack	352 ea.
Pallet Pack	5,632 ea. (16 Cases)
Case Weight	25 lbs.
Case Dimensions	24" x 20" x 20"



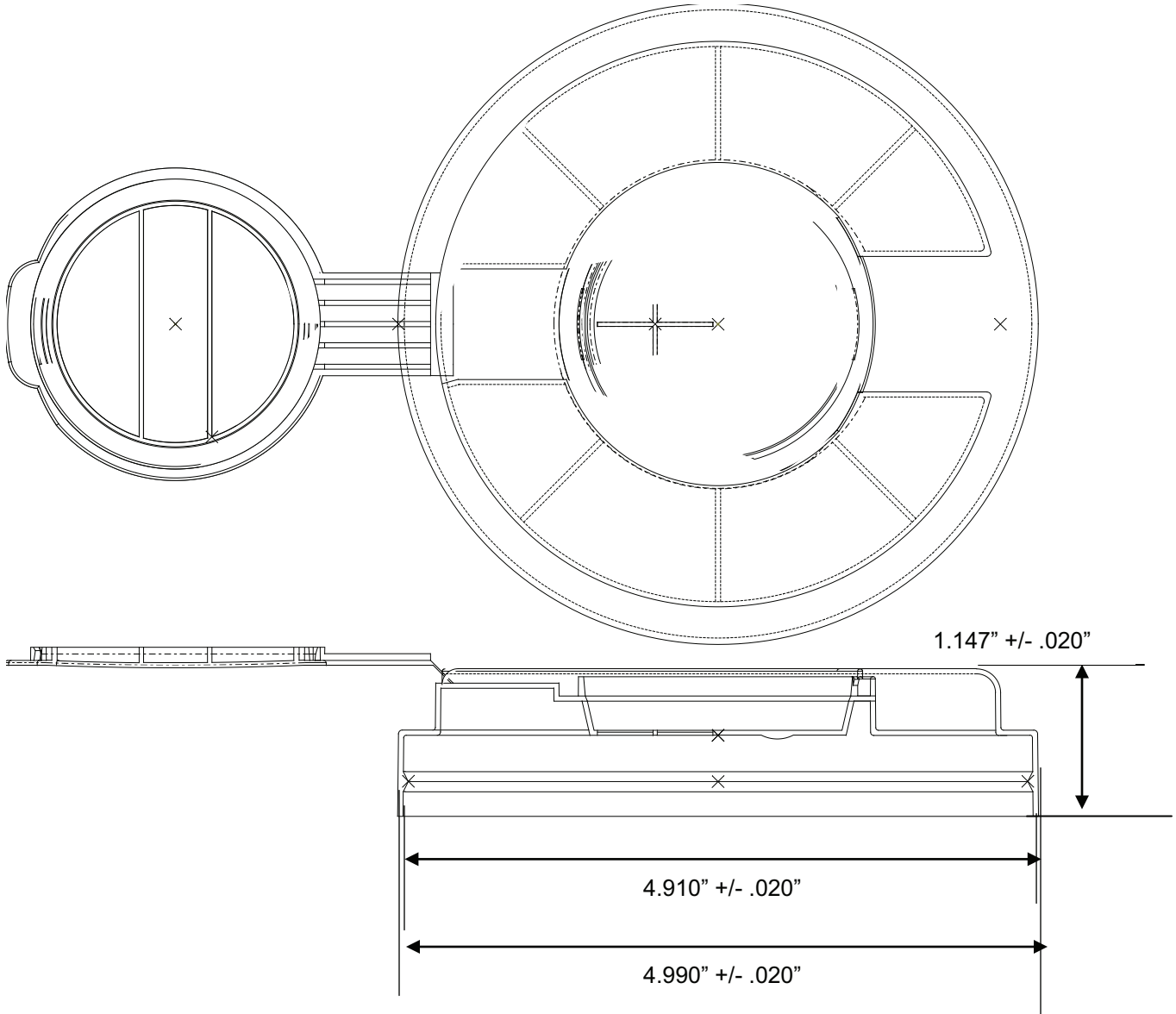


Supplied By: **The Cary Company**

Ph: 630-629-6600

www.thecarycompany.com

Part Number: 67BWL1 120 MM SNPT Towel Wipe Lid



Material: Polypropylene

SPECIALTY CHEMICALS - INDUSTRIAL FILTRATION - CONTAINERS & PACKAGING - SPILL CONTROL - PLASTIC ADDITIVES - SHIPPING & FACILITY SUPPLIES

