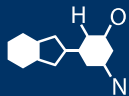
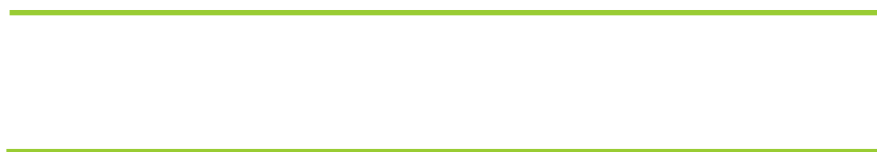


IF YOU...



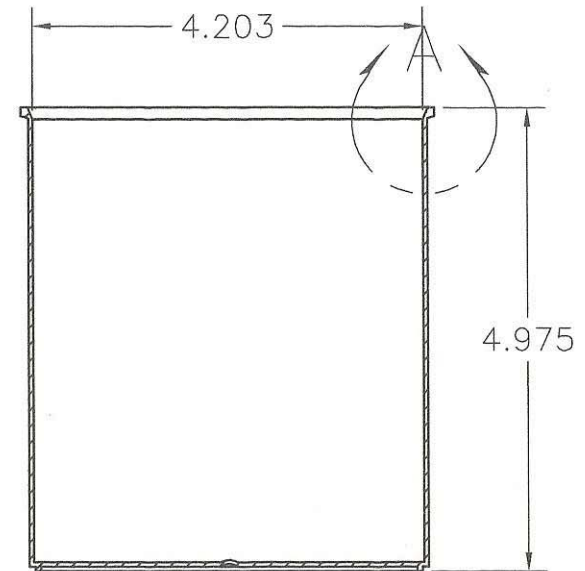
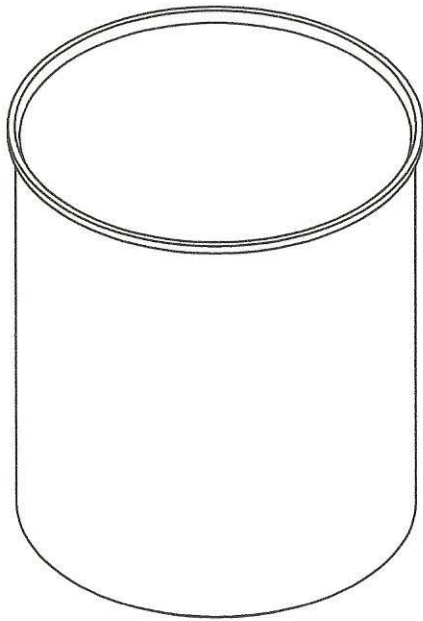
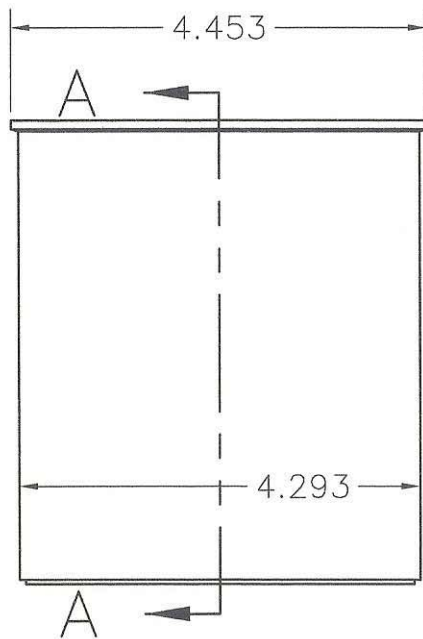
MIX IT. FILL IT. PACK IT. SHIP IT.

WE HAVE A **PRODUCT** FOR YOU

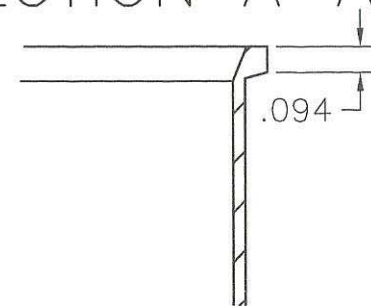


Part #	67W02X
Capacity	2 lb., 32 oz.
Color	Black
Material	PP
Dimensions	4.293" Dia. x 4.975"H
Case Pack	120 ea.
Pallet Pack	1,200 ea. (10 Cases)





SECTION A-A



DETAIL A
SCALE 1.5:1



PH 630-629-6600 - FX 630-629-3690
1195 W. FULLERTON AVE. - ADDISON, IL 60101
WWW.THECARYCOMPANY.COM

32oz CAN

SIZE A	DATE DRAWN 06/07/02	DWG NO.	REV
SCALE 1:2	DRAWN BY M. BEMAN	SHEET 1 of 1	

CONTROLLED